

Product information presented here reflects conditions at time of publication. Consult factory regarding discrepancies or inconsistencies.



MAIL TO: P.O. BOX 16347 • Louisville, KY 40256-0347
SHIP TO: 3649 Cane Run Road • Louisville, KY 40211-1961
TEL: (502) 778-2731 • 1 (800) 928-PUMP • FAX: (502) 774-3624

Visit our web site:
www.zoellerpumps.com

REPLACEMENT PARTS LIST FOR MODELS:

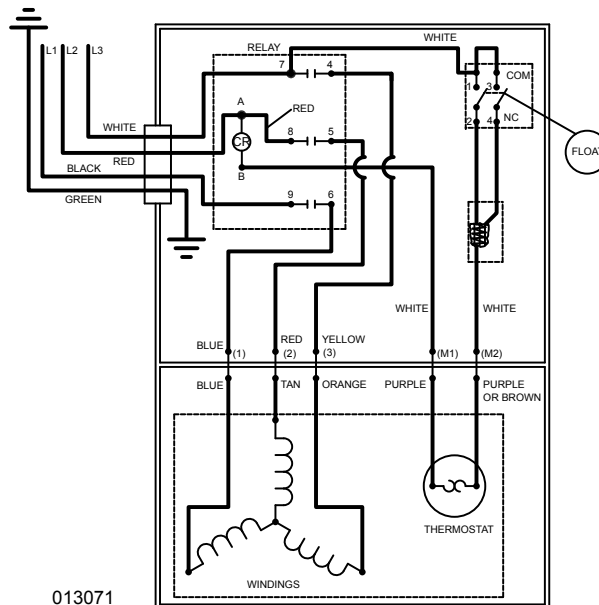
CF284 3PH AUTOMATIC 230V

Consult factory for all other models.

TO ORDER REPLACEMENT PARTS:

PLEASE FURNISH THE FOLLOWING INFORMATION:

- Model Number.
- Part Number of Pump.
- Part Number and Description of part.



013071

WIRING DIAGRAM FOR MODELS
"CF284-A"
2/00 thru Current

REPLACEMENT PARTS LIST FOR MODEL "CF284"

See next page for "CF284" illustration.

				MODELS: C284-A C284-B		
REF NO.		DESCRIPTION	QTY	NOTES	02/00 thru 05/10	06/10 thru Current
1	•	Guard	1		001023	001023
2		Handle	1		217069	217069
3		Case Switch & Cd	1	2	013223	013223
4	•	Arm & Seal Asm "160/180/290"	1		004745	004745
5		Case-Mach "160/180/280/290"	1	2	004614	004614
6	•	Gasket, Case/Cover	1		001011	001011
7	•	Wire Pkg (8) Wires	1		013212	013212
8		Float, Plastic	1		094039	094039
9		Guide Asm, Flt Rod	1		094048	094048
10	•	Screw, #10-24 X .375 RHM-SISS	2		001883	001883
11		Housing, Mtr. & Str "284" GE	1	1	013224	150992
12		Rod Asm, Flt.	1		001043	150438
13		Bearing, Sleeve	1		001012	N/A
		Bearing, Radial	1		N/A	006703
14	•	Clamp, Strain Relief-Red	1		001770	001770
15		Cord Term & Seal Asm 230V/3PH	1	2	013962	013962
16	•	Seal, Cord-Asm & Strain Relief	1	2	094032	094032
17	•	Screw, #6-32 X .25 RHM SI Tc Stigr	4		001877	001877
18	•	Screw, .25-20 X .75 HHm-SS	4		001916	001916
19		Switch Asm "160/180/290"	1		013214	013214
20	•	Screw, #6-32 X .428 Rhsitp "1" Stlzi	2		004644	004644
21		Relay 230/3PH	1		013069	013069
22		Bracket, relay	1		013070	013070
23	•	Nut, #6-32	1		006120	006120
24	•	Plug, Test - White	2		034090	034090
25	•	Seal, Thru Wall Term	5		003402	003402
26	•	Screw, .25-20 X 1" RHM-SI Tc Stigr	4		007790	007790
27		Rotor & Brg	1		009257	150879
28	•	Bearing, Lower Rotor	1		010069	010069
29	•	Seal, Mtr Hsg	1		001014	001014
30	•	Oil, Dielectric - (44 Oz Can)	1		003168	011066
31	•	Screw, .313-18 X 1" HH Cap-SS	4		002608	002608
32		Adapter-Mach "280"	1		001003	001003
33	•	Seal, Shaft "282", "284"	1		001015	001015
34		Impeller "284"	1		007061	007061
35	•	Screw, .5-13 X 2 HH Cap-SS	2		001909	001909
36	•	Washer, SS-1.25" OD X .562" ID X .078	2		002115	002115
37		Flange Pkg 2" Npt	1		10-1305	10-1305
		Flange Pkg 3" Npt	1		10-1306	10-1306
38		Housing, Pump-Mach	1		217012	217012
39		Washer, Stl. - .375" OD X .150" ID X .032	2		002117	002117
40		Terminal, Adapter (1) FEMx (2) Mail F.	3		014210	014210
☒		Rebuild Kit "280"	1		013215	150990

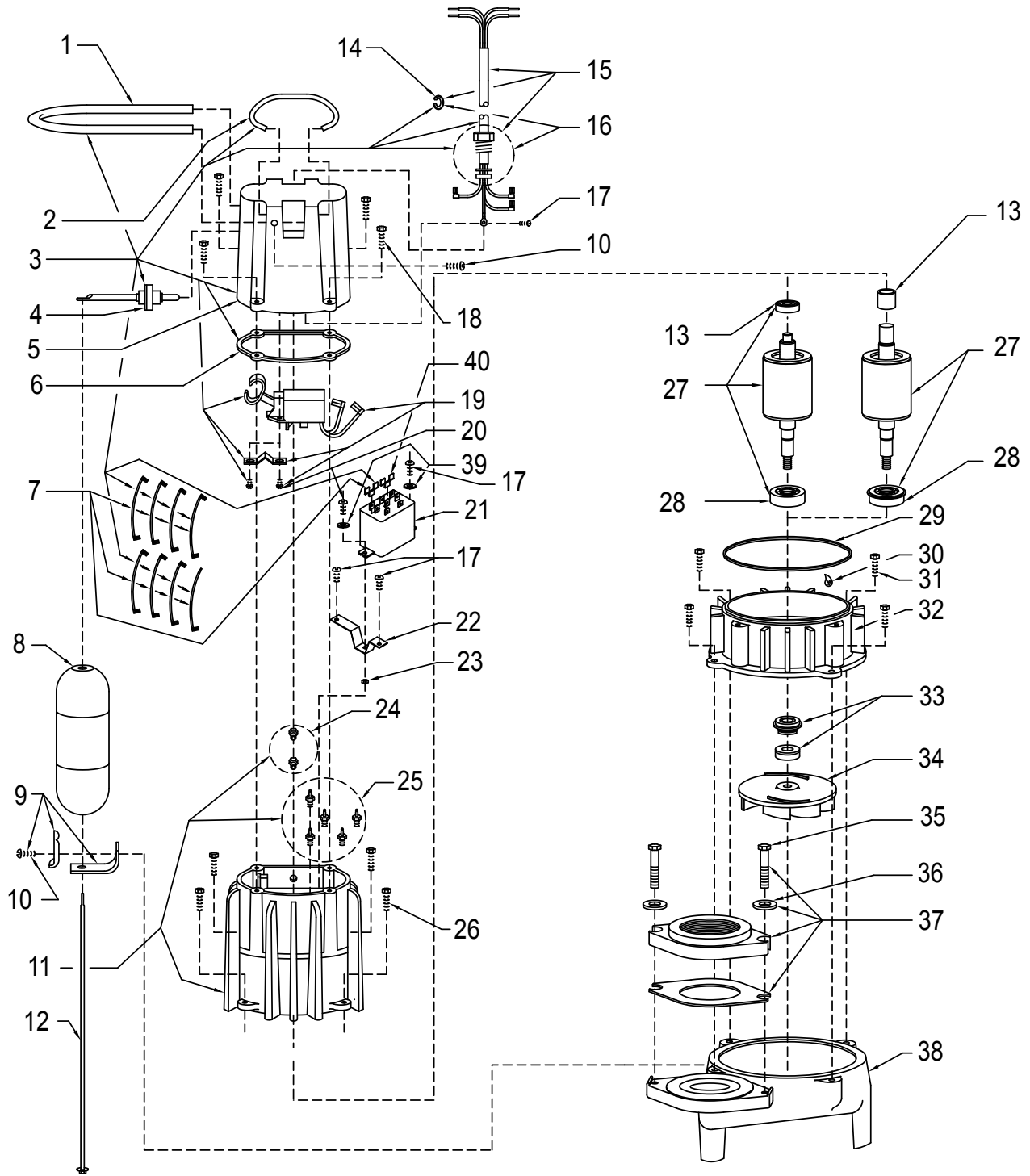
• Items included in Rebuild Kit.

☒ Not Shown in Illustration.

NOTES:

- 1) Mtr. Hsg., Brg., Stator & Term. (Item 11) are preassembled at the factory and must be replaced as a unit. Stator is permanently attached to the motor Housing. Plug (Item 24); Seal, Thru Wall Term. (Item 25) and Bearing - Upper (Item 13) are replaceable.
- 2) If an "X" follows Model No., or Date Mfg. on brass ID tag, consult factory for ordering any parts.
- 3) See FM0160 Parts Price Sheet for listing of parts prices.
- 4) "NA" indicates, not applicable.

REPLACEMENT PARTS LIST FOR MODEL "CF284"



NOTES:



MAIL TO: P.O. BOX 16347 • Louisville, KY 40256-0347
SHIP TO: 3649 Cane Run Road • Louisville, KY 40211-1961
(502) 778-2731 • 1 (800) 928-PUMP • FAX (502) 774-3624

Your Peace of Mind is Our Top Priority®

Visit our web site:
www.zoellerpumps.com