



Product information presented here reflects conditions at time of publication. Consult factory regarding discrepancies or inconsistencies.

**PUMP COMPANY**

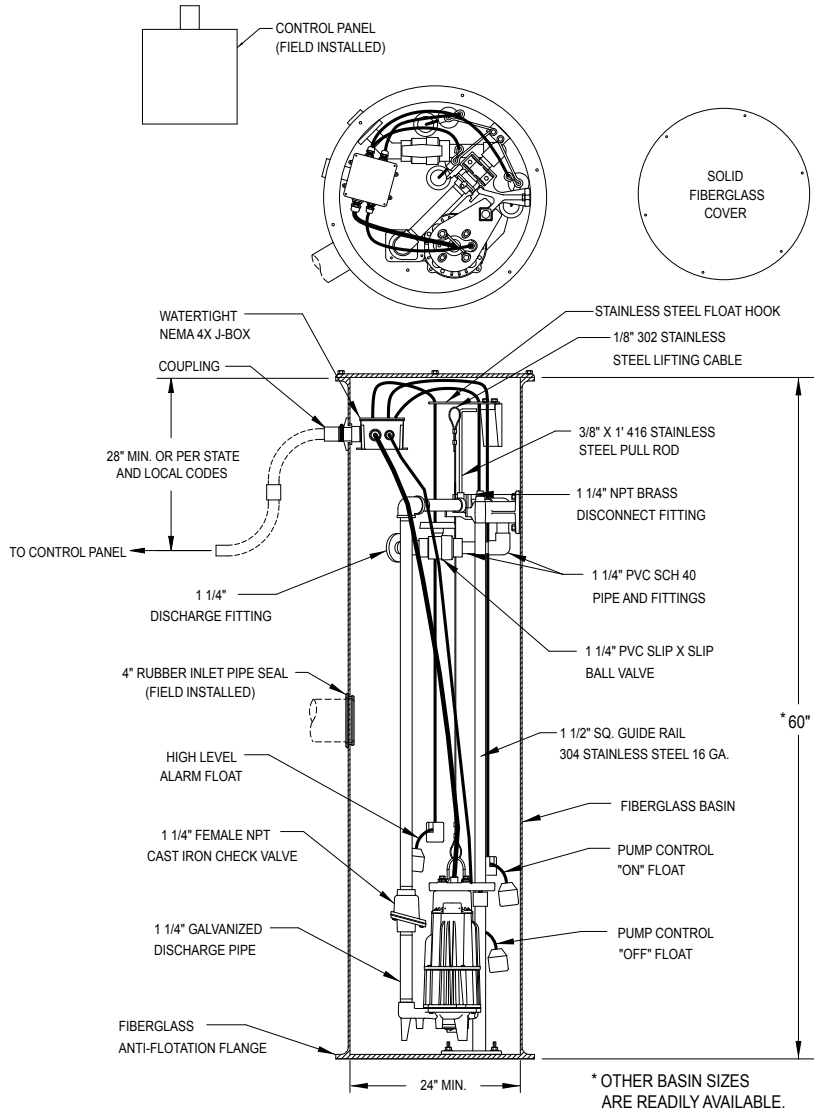
Zoeller Family of Water Solutions™

MAIL TO: P.O. BOX 16347 • Louisville, KY 40256-0347  
 SHIP TO: 3649 Cane Run Road • Louisville, KY 40211-1961  
 (502) 778-2731 • 1 (800) 928-PUMP • FAX (502) 774-3624

visit our web site:  
[www.zoeller.com](http://www.zoeller.com)

# SIMPLEX 840 GRINDER SYSTEM

## P/N 922-0006 OUTDOOR PREPACKAGED WITH SQUARE GUIDE RAIL SYSTEM



SK1665A

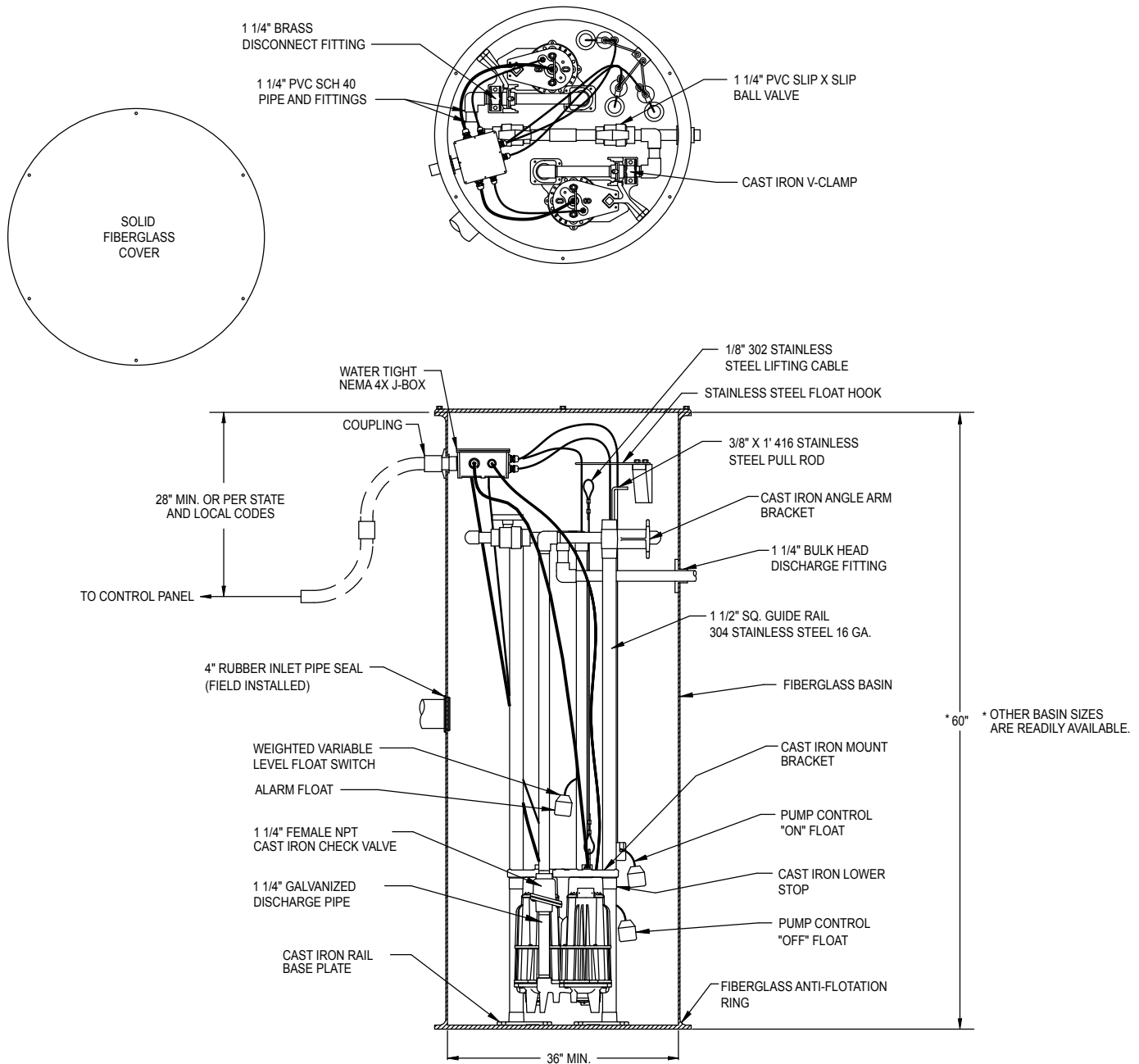
### Complete System As Shown Above (P/N 922-0006) Includes:

Qty.	Part No.	Description
1	840-0004	230 Volt, 1 Ph, 2 HP Grinder Pump
1	10-0393	Nema 4X Simplex Control Panel with Automatic Reversing (Not Shown)
1	10-0329	Switch Assembly (3)
1	10-0331	J-Box for 3-Float System
1	33-0023*	24" X 60" Fiberglass Basin and Cover, Rail System, 8' SS Lifting Cable and 1' Pull Rod

Approximate Weight: 390 lbs.

# DUPLEX 840 GRINDER SYSTEM

P/N 922-0022 OUTDOOR PREPACKAGED WITH SQUARE GUIDE RAIL SYSTEM



SK1667A

## Complete System As Shown Above (P/N 922-0022) Includes:

Qty.	Part No.	Description
2	840-0004	230 Volt, 1 Ph, 2 HP Grinder Pumps
1	10-0512	Nema 4X Duplex Control Panel with Automatic Reversing (Not Shown)
1	10-0329	Switch Assembly (3)
1	10-0332	J-Box for 3-Float System
1	33-0035*	36" X 60" Fiberglass Basin and Cover, Rail Systems, Two 8' SS Lifting Cables and Two 1' Pull Rods

Approximate Weight: 745 lbs.