

Product information presented here reflects conditions at time of publication. Consult factory regarding discrepancies or inconsistencies.



PUMP COMPANY

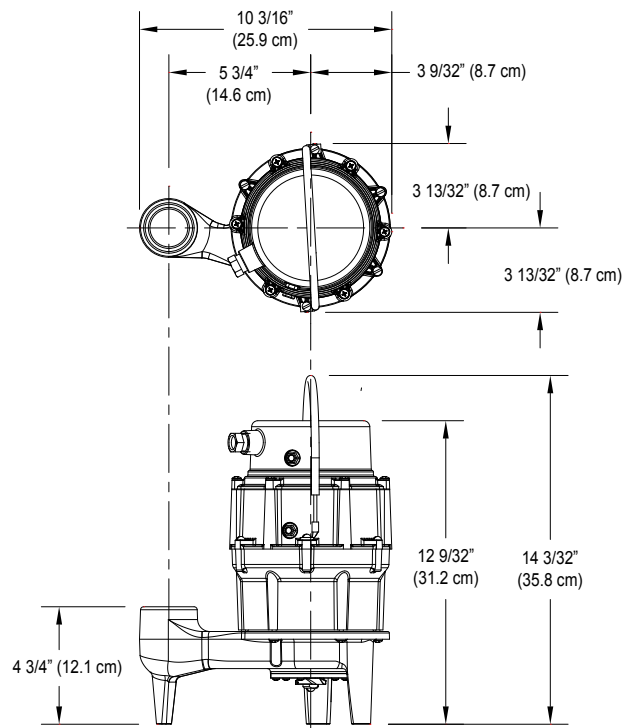
Zoeller Family of Water Solutions™

TECHNICAL DATA SHEET

THE SHARK SEWAGE WASTE SERIES
Model 800 Grinder Pump

PRODUCT SPECIFICATIONS

MOTOR	Horse Power	1/2
	Voltage	115
	Phase	1 Ph
	Hertz	60 Hz
	RPM	3450
	Amps	7.0
PUMP	Discharge Size	1-1/4"
	Cord Length	15' (5 m) standard
	Cord Type	UL listed neoprene
	Max. Head	26' (7.9 m)
	Max. Flow Rate	46 GPM (174 LPM)
MATERIALS	Cap	Engineered plastic
	Upper Motor Housing	Engineered plastic
	Lower Motor Housing	Cast iron
	Pump Housing	Cast iron
	Upper Bearing	Ball bearing
	Lower Bearing	Ball bearing
	Mechanical Seals	Carbon/ceramic
	Impeller Type	Non-clogging vortex
	Impeller	Engineered plastic
	Hardware	Stainless steel
	Motor Shaft	AISI 1215
	Gasket	Buna-N pump o-ring
	Cutter	Hardened stainless steel, Rockwell C55-60



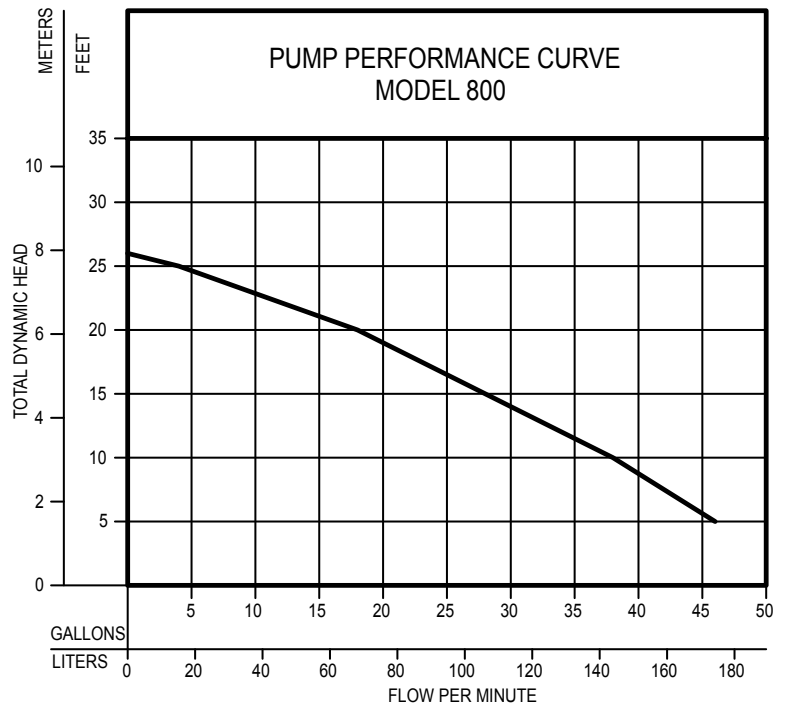
SK3007



**TOTAL DYNAMIC HEAD
FLOW PER MINUTE**

MODEL		800	
Feet	Meters	Gal.	Liters
5	1.5	46	174
10	3.0	38	144
15	4.6	28	106
20	6.1	18	68
25	7.6	4	15
Shut-off Head:		26 ft. (8.1m)	

152954



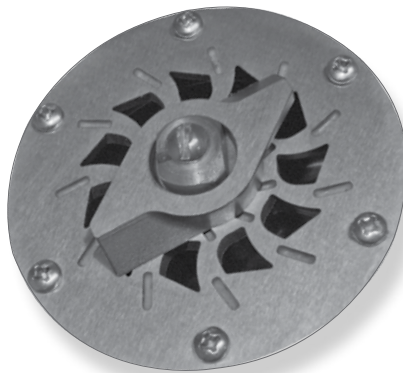
Model	MODEL COMPARISON								
	Mode	Volts	Ph	Amps	HP	Hz	Seal	Simplex	Duplex
N800	Non	115	1	7.0	1/2	60	Single	1 or 2	3
BN800*	Auto	115	1	7.0	1/2	60	Single	*	-

*Single piggyback switch included

SELECTION GUIDE

1. For automatic, use single piggyback variable level float switch or double piggyback variable level float switch. Refer to FM0477.
2. See FM1228 for correct model of simplex control panel.
3. See FM0712 for correct model of duplex control panel.

Consult Factory for custom applications.



800 Cutter and Plate

Tri-Slice® Cutter Technology includes three independent cutting channels to provide over 250,000 cuts per minute.

CAUTION All installation of controls, protection devices and wiring should be done by a qualified licensed electrician. All electrical and safety codes should be followed including the most recent National Electrical Code (NEC) and the Occupational Safety and Health Act (OSHA).