

Product information presented here reflects conditions at time of publication. Consult factory regarding discrepancies or inconsistencies.

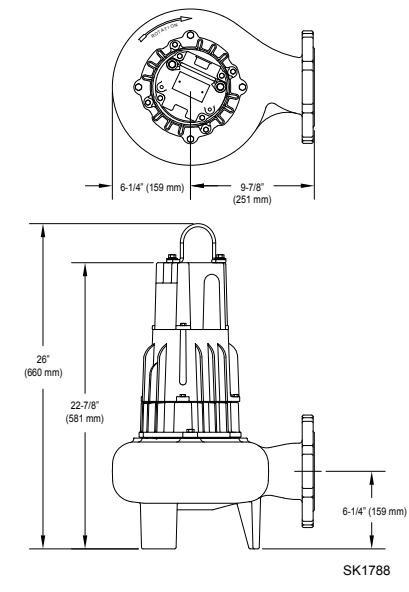
# TECHNICAL DATA SHEET WASTE-MATE SERIES

## Models 404/4404, 405/4405 Submersible Sewage Pumps

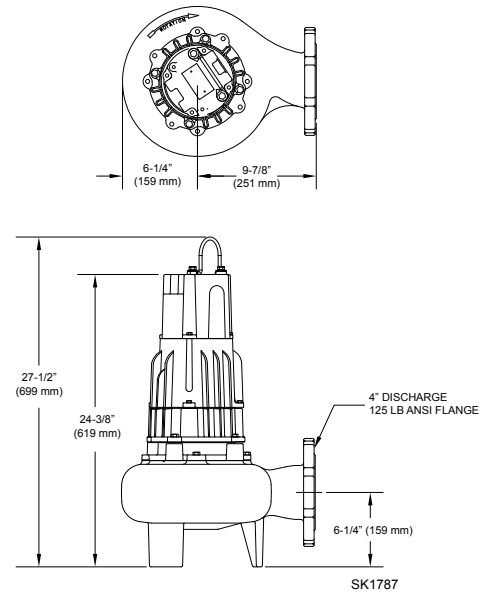
### PRODUCT SPECIFICATIONS

<b>MOTOR</b>	Horse Power	2 (404/4404) or 3 (405/4405)
	Voltage	200 - 575
	Phase	1 or 3 Ph
	Hertz	60 Hz
	RPM	1750
	Type	Permanent split capacitor or 3 Ph
	Insulation	Class B
	Amps	4.1 - 20.2
<b>PUMP</b>	Operation	Automatic or nonautomatic
	Discharge Size	4" horizontal ANSI flange
	Solids Handling	3" (76 mm) spherical solids
	Cord Length	20' (6 m) standard
	Cord Type	1 Ph-UL listed 3-wire neoprene cord and plug 3 Ph-4-wire with no plug
	Max. Head	38' (11.6 m)
	Max. Flow Rate	361 GPM (1367 LPM)
	Max. Operating Temp.	130 °F (54 °C)
	Cooling	Oil filled
	Motor Protection	Auto reset thermal overload (1 Ph)
<b>MATERIALS</b>	Upper Bearing	Ball bearing
	Lower Bearing	Ball bearing
	Mechanical Seals	Carbon and ceramic
	Impeller Type	Non-clogging vortex
	Impeller	Cast iron
	Hardware	Stainless steel
	Motor Shaft	1117 carbon steel or 416 stainless steel*
	Gasket	Neoprene square ring and gasket

### SINGLE SEAL



### DOUBLE SEAL



\*Single seal models are built with a carbon steel motor shaft, and double seal models are built with a stainless steel motor shaft.

All Class 30 cast iron construction.

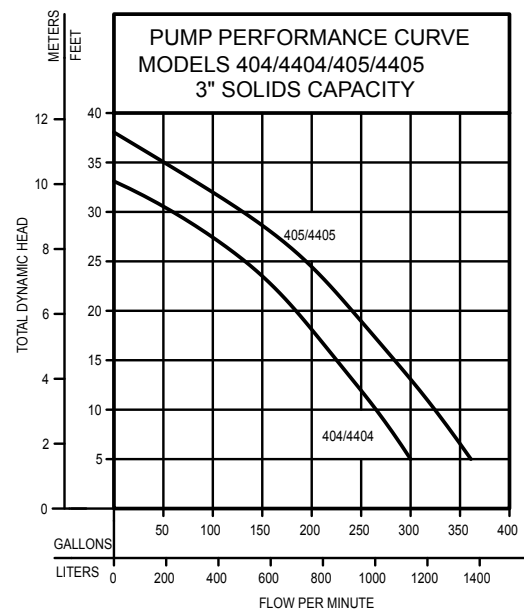
NOTE: The sizing of effluent systems normally requires variable level float(s) controls and properly sized basins to achieve required pumping cycles or dosing timers with nonautomatic pumps.

NOTE: See model comparison chart for specific details.



## TOTAL DYNAMIC HEAD FLOW PER MINUTE

MODEL		404/4404		405/4405	
Feet	Meters	Gal.	Liters	Gal.	Liters
5	1.5	300	1136	361	1367
10	3.0	265	1003	326	1234
15	4.6	224	848	284	1075
20	6.1	184	698	241	912
25	7.6	134	503	197	746
30	9.1	60	227	134	507
35	10.7	--	--	50	189
Shut-off Head:		33 ft.(10.1m)		38 ft.(11.6m)	



012116

Model	MODEL COMPARISON										
	Seal	Mode	Volts	Ph	Amps	HP	Hz	Lbs	Kg	Simplex	Duplex
E404	Single	Non	230	1	12.9	2	60	136	61	1 or 2	3
E4404	Double	Non	230	1	12.9	2	60	147	66	1 or 2	3
WD404	Single	Auto	230	1	12.9	2	60	139	63	**	---
WD4404	Double	Auto	230	1	12.9	2	60	150	68	**	---
I404	Single	Non	200	1	14.4	2	60	136	61	2	3
I4404	Double	Non	200	1	14.4	2	60	147	66	2	3
J404	Single	Non	200	3	13.8	2	60	136	61	2	3
J4404	Double	Non	200	3	13.8	2	60	147	66	2	3
F404	Single	Non	230	3	10.5	2	60	136	61	2	3
F4404	Double	Non	230	3	10.5	2	60	147	66	2	3
G404	Single	Non	460	3	5.2	2	60	136	61	2	3
G4404	Double	Non	460	3	5.2	2	60	147	66	2	3
BA404	Single	Non	575	3	4.1	2	60	136	61	2	3
BA4404	Double	Non	575	3	4.1	2	60	147	66	2	3
*E405	Single	Non	230	1	19.0	3	60	136	61	1 or 2	3
*E4405	Double	Non	230	1	19.0	3	60	136	61	1 or 2	3
*WD405	Single	Auto	230	1	19.0	3	60	139	63	**	---
*WD4405	Double	Auto	230	1	19.0	3	60	150	68	**	---
I405	Single	Non	200	1	20.2	3	60	136	61	2	3
I4405	Double	Non	200	1	20.2	3	60	145	65	2	3
J405	Single	Non	200	3	14.8	3	60	136	61	2	3
J4405	Double	Non	200	3	14.8	3	60	147	66	2	3
F405	Single	Non	230	3	12.2	3	60	136	61	2	3
F4405	Double	Non	230	3	12.2	3	60	147	66	2	3
G405	Single	Non	460	3	6.1	3	60	136	61	2	3
G4405	Double	Non	460	3	6.1	3	60	147	66	2	3
BA405	Single	Non	575	3	4.1	3	60	136	61	2	3
BA4405	Double	Non	575	3	4.1	3	60	147	66	2	3

\*CSA approved, all other models are UL and cCSAus approved.  
 Additional cord lengths are available in 25' (8 m), 35' (11 m) and 50' (15 m).

### SELECTION GUIDE

1. For automatic use single piggyback variable level float switch or double piggyback variable level float switch. Refer to FM0477.
2. See FM1228 for correct model of simplex control panel.
3. See FM0712 for correct model of duplex control panel.

**CAUTION** All installation of controls, protection devices and wiring should be done by a qualified licensed electrician. All electrical and safety codes should be followed including the most recent National Electrical Code (NEC) and the Occupational Safety and Health Act (OSHA).