

Product information presented here reflects conditions at time of publication. Consult factory regarding discrepancies or inconsistencies.

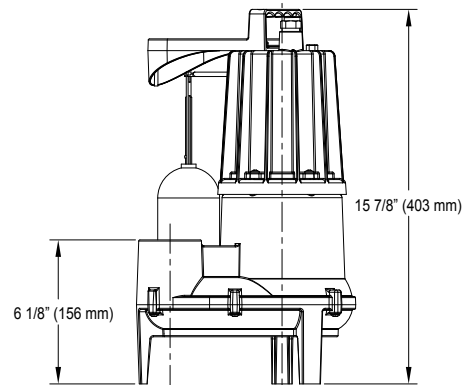
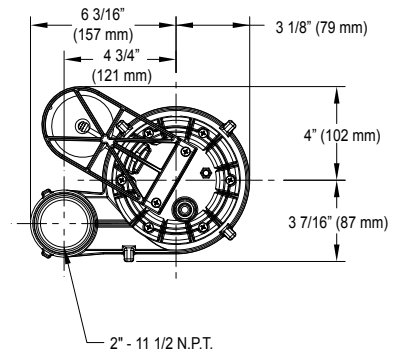
PUMP COMPANY

Zoeller Family of Water Solutions™

TECHNICAL DATA SHEET
AQUA-MATE SERIES
Model 211 Sewage/Effluent or Dewatering Pumps

PRODUCT SPECIFICATIONS

MOTOR	Horse Power	4/10
	Voltage	115
	Phase	1 Ph
	Hertz	60 Hz
	RPM	3400
	Type	Permanent split capacitor
	Insulation	Class B
	Amps	5.5
PUMP	Operation	Automatic or nonautomatic
	Auto On/Off Points	13" (33 cm) / 5-3/4" (14.6 cm)
	Discharge Size	2" NPT
	Solids Handling	2" (50 mm) spherical solids
	Cord Length	10' (3 m) automatic, 15' (5 m) nonautomatic
	Cord Type	UL listed 3-wire plug
	Max. Head	19.5' (5.9 m)
	Max. Flow Rate	82 GPM (310 LPM)
	Max. Operating Temp.	110° F (43° C)
	Cooling	Oil free
	Motor Protection	Auto reset thermal overload (1 Ph)
	MATERIALS	Motor Housing
Pump Housing		Engineered plastic
Base		Engineered plastic
Upper Bearing		Ball bearing
Lower Bearing		Ball bearing
Mechanical Seals		Carbon and ceramic
Impeller Type		Non-clogging vortex
Impeller		Engineered plastic
Hardware		Stainless steel
Motor Shaft		410 stainless steel
Gasket		Buna-N o-ring



SK2092

NOTE: The sizing of effluent systems normally requires variable level float(s) controls and properly sized basins to achieve required pumping cycles or dosing timers with nonautomatic pumps.

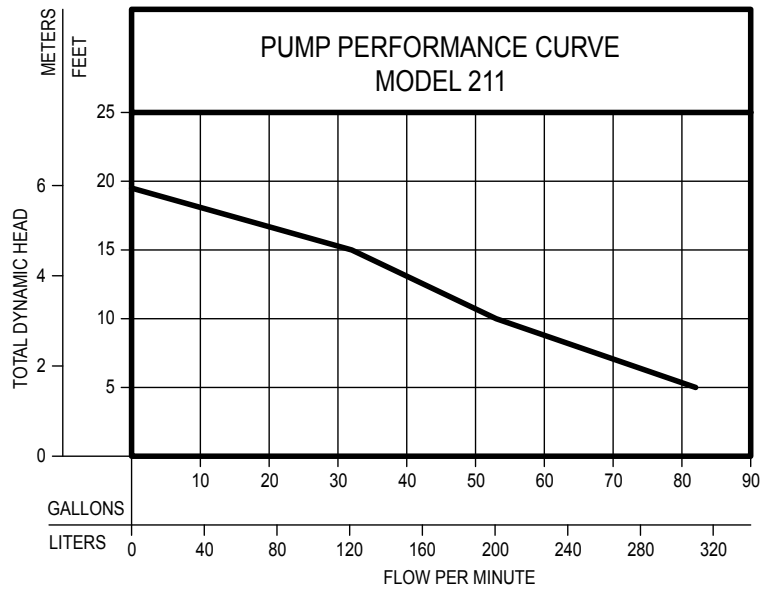
NOTE: See model comparison chart for specific details.



**TOTAL DYNAMIC HEAD
FLOW PER MINUTE**

MODEL		211	
Feet	Meters	Gal.	Liters
5	1.5	82	310
10	3.0	53	201
15	4.6	32	121
Shut-off Head:		19.5 ft. (5.9m)	

NOTE: recommended for 2" pipe only



014718

Model	MODEL COMPARISON										
	Seal	Mode	Volts	Ph	Amps	HP	Hz	Lbs.	Kg	Simplex	Duplex
M211	Single	Auto	115	1	5.5	4/10	60	12	5	1	3
N211	Single	Non	115	1	5.5	4/10	60	12	5	2	2 & 3
*BN211	Single	Auto	115	1	5.5	4/10	60	15	7	--	--

*Single piggyback switch included.

SELECTION GUIDE

1. Integral float-operated mechanical switch, no external control required.
2. For automatic use single piggyback variable level float switch or double piggyback variable level float switch. Refer to FM0477.
3. See FM1663 for a residential alternator system.

CAUTION All installation of controls, protection devices and wiring should be done by a qualified licensed electrician. All electrical and safety codes should be followed including the most recent National Electrical Code (NEC) and the Occupational Safety and Health Act (OSHA).