

Product information presented here reflects conditions at time of publication. Consult factory regarding discrepancies or inconsistencies.



TECHNICAL DATA SHEET SEWAGE WASTE SERIES

Models X611, X621, X631, X641, X651, X661

Submersible Sewage Pumps For Hazardous Locations Class I, Division 1, Group C & D Rated

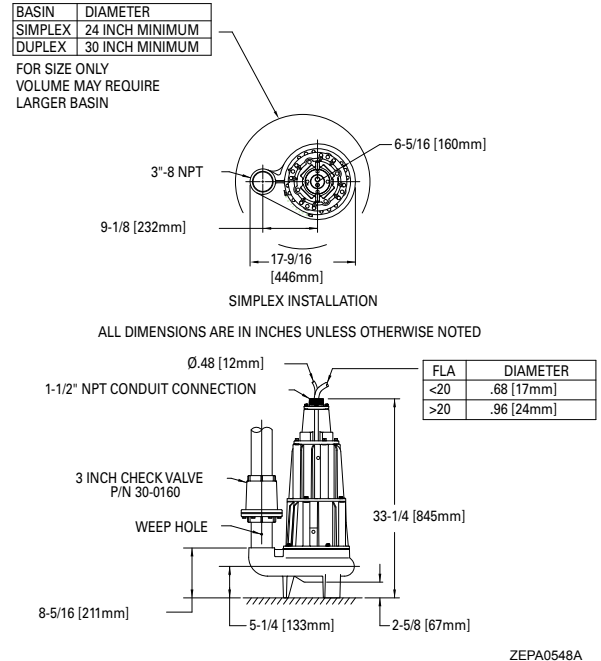
PRODUCT SPECIFICATIONS

MOTOR	Horse Power	1 - 7-1/2	
	Voltage	230, 200 - 575	
	Phase	1, 3 Ph	
	Hertz	60 Hz	
	RPM	1750	
	Type	Capacitor start/capacitor run or 3 Ph	
	Insulation	Class F	
	Amps	1.7 - 28.0 Amps	
	PUMP	Operation	Nonautomatic
		Discharge Size	3" NPT (optional 3" or 4" flange available)
Solids Handling		2-1/2" (63 mm) spherical solids	
Cord Length		25' (8 m) standard	
Cord Type		UL listed power and sensor cord	
Max. Head		65' (19.8 m)	
Max. Flow Rate		600 GPM (2,271 LPM)	
Max. Operating Temp.		104 °F (40 °C)	
Cooling		Oil filled with finned housings	
Motor Protection		Thermal sensors and moisture sensors	
MATERIALS	Upper Bearing	Oversized ball bearing	
	Lower Bearing	Oversized ball bearing	
	Mechanical Seals	Carbon and ceramic with stainless steel parts	
	Impeller Type	Semi-open	
	Impeller	Ductile iron	
	Hardware	Stainless steel	
	Gasket	Buna-N square ring seals	

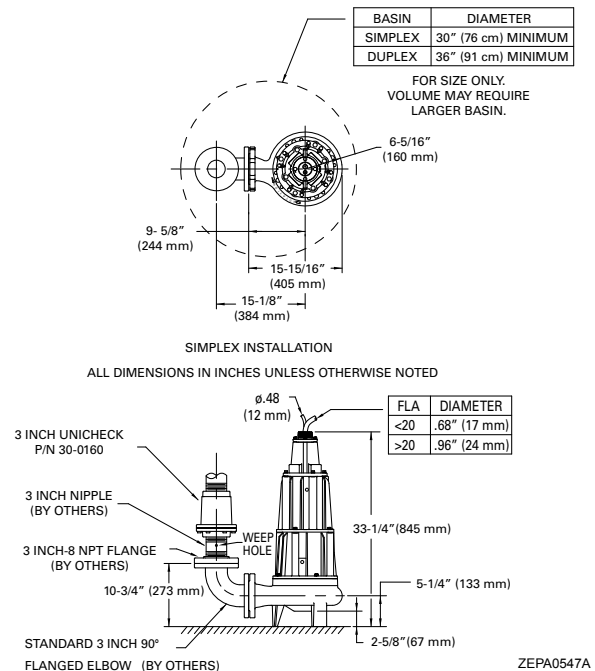
All Class 30 cast iron construction.

NOTE: See model comparison chart for specific details.

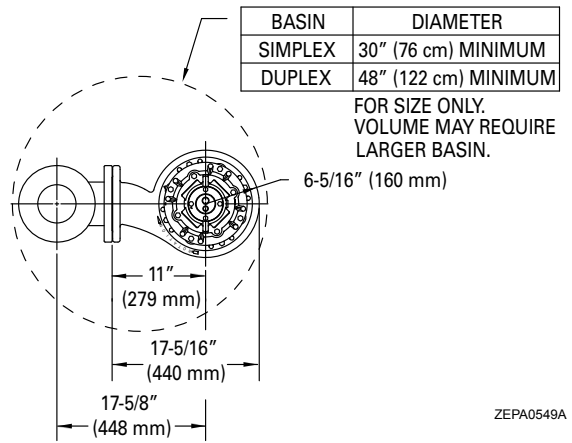
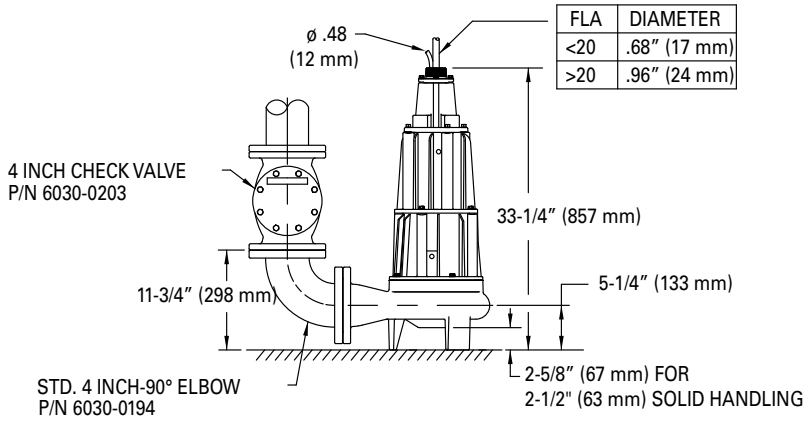
3" VERTICAL DISCHARGE



3" FLANGED DISCHARGE



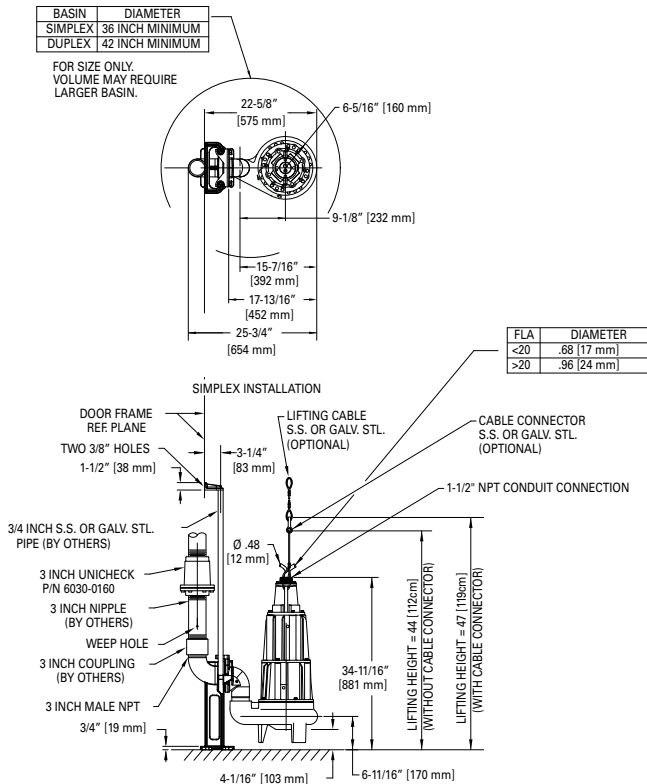
4" HORIZONTAL DISCHARGE



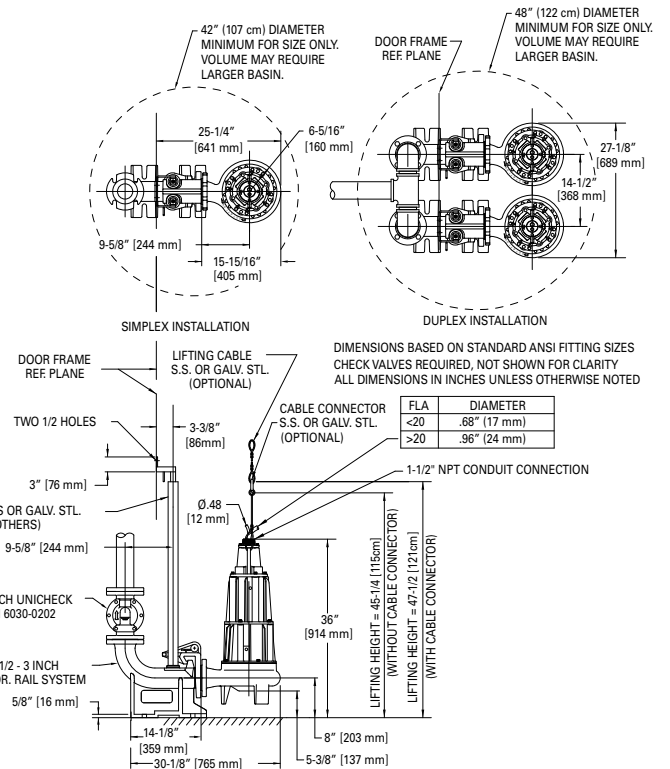
SIMPLEX INSTALLATION
ALL DIMENSIONS IN INCHES UNLESS OTHERWISE NOTED

"NON-SPARKING" RAIL SYSTEM DIMENSIONAL DATA

3" VERTICAL DISCHARGE 39-0124 & 39-0125



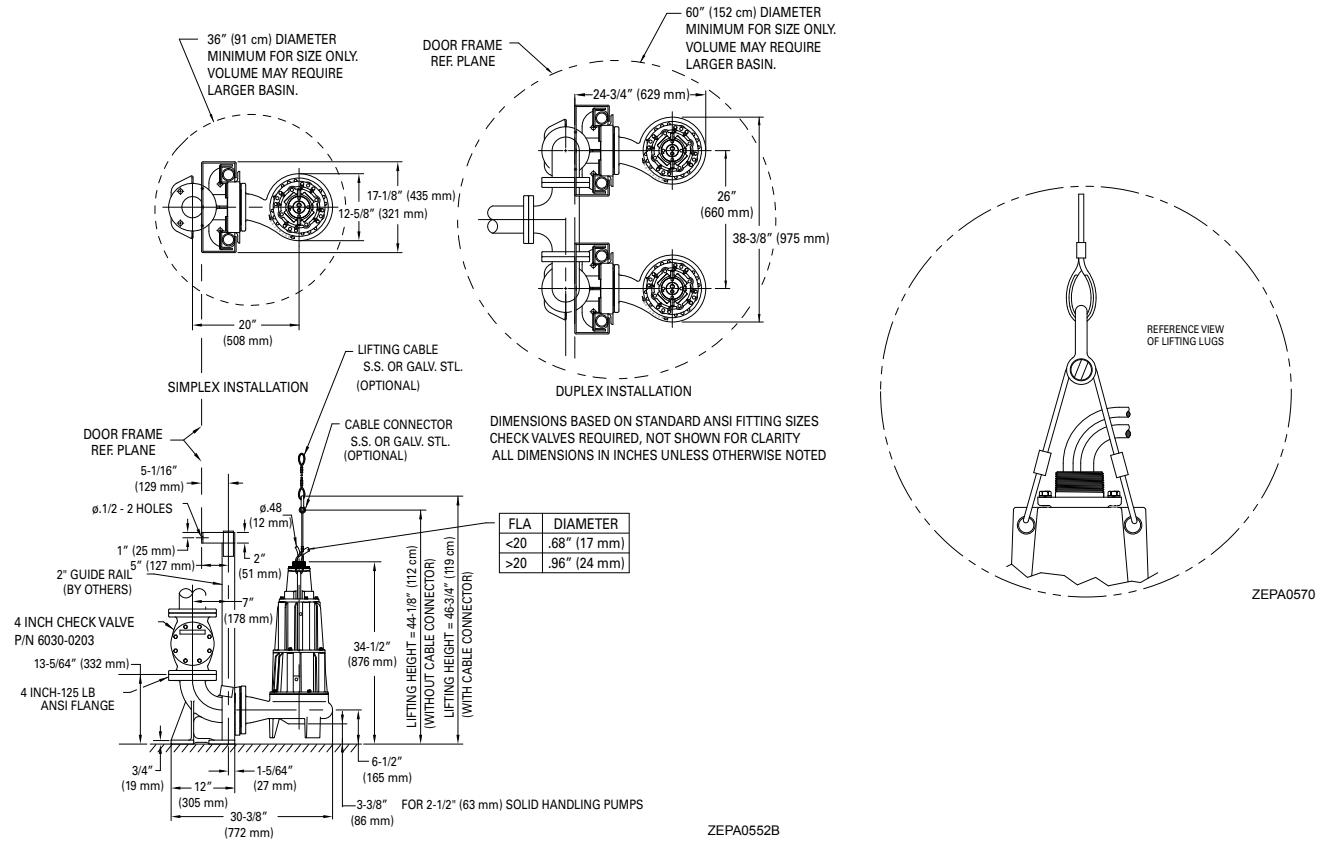
3" HORIZONTAL DISCHARGE 39-0095



"NON-SPARKING" RAIL SYSTEM DIMENSIONAL DATA

4" HORIZONTAL DISCHARGE

39-0017

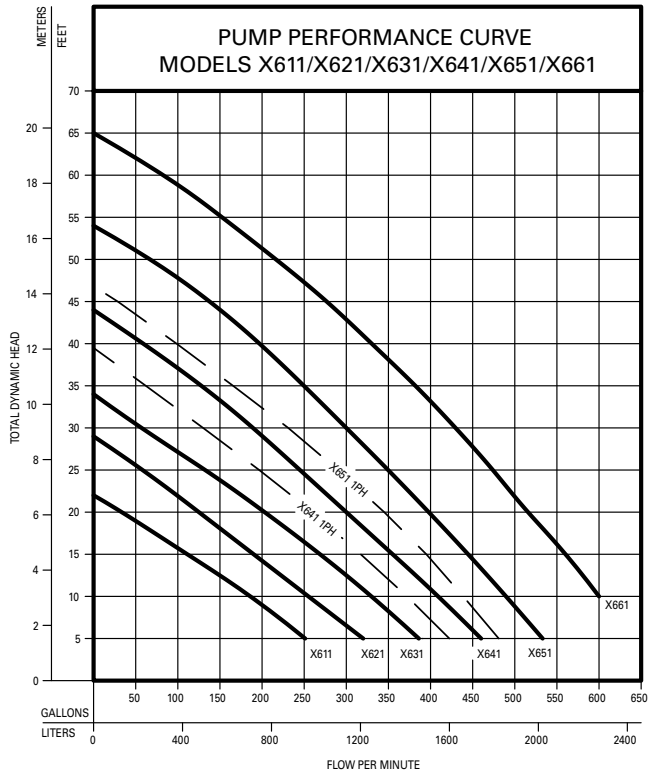


TOTAL DYNAMIC HEAD FLOW PER MINUTE

MODEL	X611		X621		X631		X641 (1PH)		
Feet	Meters	Gal.	Liters	Gal.	Liters	Gal.	Liters	Gal.	Liters
5	1.5	250	946	320	1211	390	1476	420	1590
10	3.0	185	700	255	965	335	1268	370	1401
15	4.6	110	416	190	719	272	1030	319	1208
20	6.1	35	132	125	473	200	757	260	984
25	7.6	--	--	60	227	130	492	198	750
30	9.1	--	--	--	--	55	208	130	492
35	10.7	--	--	--	--	--	--	62	235
40	12.2	--	--	--	--	--	--	--	--
45	13.7	--	--	--	--	--	--	--	--
50	15.2	--	--	--	--	--	--	--	--
55	16.7	--	--	--	--	--	--	--	--
60	18.2	--	--	--	--	--	--	--	--
Shut-off Head:		22 ft.(6.7m)		29 ft.(8.8m)		34 ft.(10.4m)		39.5 ft.(12.0m)	

MODEL	X641		X651 (1PH)		X651		X661		
Feet	Meters	Gal.	Liters	Gal.	Liters	Gal.	Liters	Gal.	Liters
5	1.5	460	1741	475	1798	533	2018	--	--
10	3.0	410	1552	440	1666	490	1855	600	2271
15	4.6	355	1344	395	1495	445	1685	560	2119
20	6.1	300	1136	345	1306	398	1507	515	1949
25	7.6	245	927	290	1098	350	1325	475	1798
30	9.1	190	719	232	878	300	1136	430	1627
35	10.7	130	492	165	625	250	946	380	1438
40	12.2	60	227	95	360	198	738	330	1249
45	13.7	--	--	25	95	140	530	275	1041
50	15.2	--	--	--	--	70	265	215	814
55	16.7	--	--	--	--	--	--	150	568
60	18.2	--	--	--	--	--	--	85	303
Shut-off Head:		44 ft.(13.4m)		46.5 ft.(14.2m)		54 ft.(16.5m)		65 ft.(19.8m)	

013859



013859

Model	MODEL COMPARISON								
	Seal	Mode	Volts	Ph	Amps	HP	Hz	Lbs	Kg
* EX611	Double	Non	230	1	6.9	1	60	295	133
JX611	Double	Non	200	3	4.8	1	60	295	133
FX611	Double	Non	230	3	4.2	1	60	295	133
GX611	Double	Non	460	3	2.1	1	60	295	133
BAX611	Double	Non	575	3	1.7	1	60	295	133
* EX621	Double	Non	230	1	8.9	1-1/2	60	295	133
JX621	Double	Non	200	3	5.9	1-1/2	60	295	133
FX621	Double	Non	230	3	5.1	1-1/2	60	295	133
GX621	Double	Non	460	3	2.6	1-1/2	60	295	133
BAX621	Double	Non	575	3	2.0	1-1/2	60	295	133
* EX631	Double	Non	230	1	14.5	2	60	295	133
JXX631	Double	Non	200	3	7.8	2	60	295	133
FX631	Double	Non	230	3	6.8	2	60	295	133
GX631	Double	Non	460	3	3.4	2	60	295	133
BAX631	Double	Non	575	3	2.7	2	60	295	133
* EX641	Double	Non	230	1	17.0	3	60	295	133
JX641	Double	Non	200	3	11.0	3	60	295	133
FX641	Double	Non	230	3	9.6	3	60	295	133
GX641	Double	Non	460	3	4.8	3	60	295	133
BAX641	Double	Non	575	3	3.9	3	60	295	133
* EX651	Double	Non	230	1	28.0	5	60	295	133
JX651	Double	Non	200	3	17.5	5	60	295	133
FX651	Double	Non	230	3	15.2	5	60	295	133
GX651	Double	Non	460	3	7.6	5	60	295	133
BAX651	Double	Non	575	3	6.1	5	60	295	133
JX661	Double	Non	200	3	25.3	7-1/2	60	295	133
FX661	Double	Non	230	3	22.0	7-1/2	60	295	133
GX661	Double	Non	460	3	11.0	7-1/2	60	295	133
BAX661	Double	Non	575	3	9.0	7-1/2	60	295	133

* All single phase units require external starting capacity and relay circuits.
Additional cord length available in 50' (15 m).

CAUTION	All installation of controls, protection devices and wiring should be done by a qualified licensed electrician. All electrical and safety codes should be followed including the most recent National Electrical Code (NEC) and the Occupational Safety and Health Act (OSHA).
----------------	--