

Product information presented here reflects conditions at time of publication. Consult factory regarding discrepancies or inconsistencies.

PUMP COMPANY

Zoeller Family of Water Solutions™

60Hz

MAIL TO: P.O. BOX 16347 • Louisville, KY 40256-0347 USA
 SHIP TO: 3649 Cane Run Road • Louisville, KY 40211-1961 USA
 +1 (502) 778-2731 • 1-800-928-7867 • FAX +1 (502) 774-3624

visit our web site:
www.zoeller.com

REPLACEMENT PARTS LIST FOR MODELS:

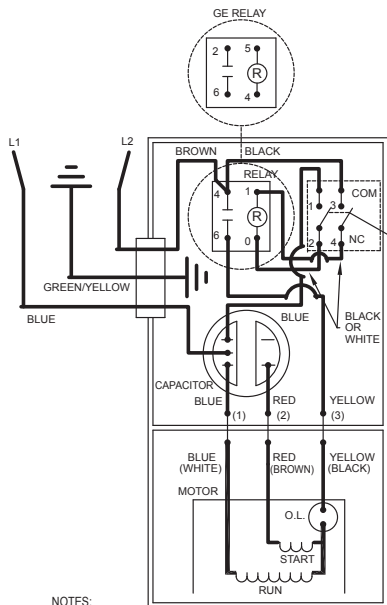
BK284 AUTOMATIC 220V/1 PH
BL284 NONAUTOMATIC 220V/1 PH
K284 NONAUTOMATIC 380V/3 PH

Consult factory for all other models.

TO ORDER REPLACEMENT PARTS:

PLEASE FURNISH THE FOLLOWING INFORMATION:

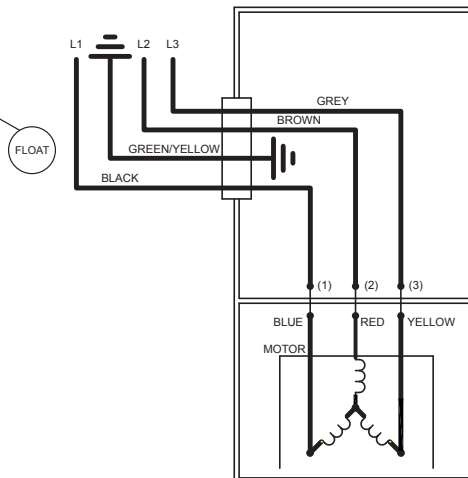
- Model number
- Part number of pump
- Part number and description of part



NOTES:
 INSULATORS REQUIRED ON GE RELAY TERMINALS 2 & 5;
 OMRON RELAY TERMINALS 1 & 4.

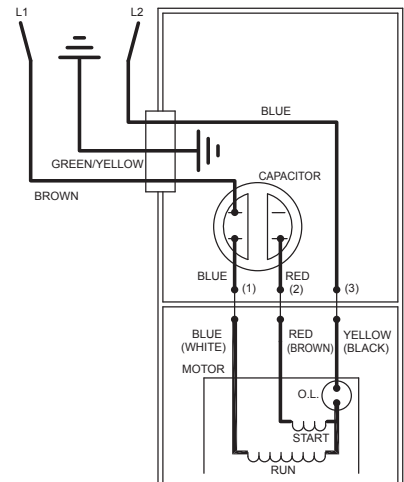
004622

60 Hz WIRING DIAGRAM FOR MODELS "BK284-A" 7/96 thru Current



006848

WIRING DIAGRAM FOR MODELS "K284-A", "K284-B" 1/97 thru Current



002397

60 Hz WIRING DIAGRAM FOR MODELS "BL284-A" & "BL284-B" 12/98 thru Current

REPLACEMENT PARTS LIST FOR MODEL "BK284"

See page 5 for "BK284" illustration.

REF NO.	DESCRIPTION	QTY	NOTES	MODELS:	BK284-A,B,C	BK284-D	BK284-E
				7/96 thru 5/10	6/10 thru 1/16	2/16 thru Current	
1	Case Sw & Cord (Cord- 2m [10'] length CEE 7/7; E/F Plug)				152031	152031	152031
2	• Guard	1			001023	001023	001023
3	Case-Mach	1	2		004614	004614	004614
4	• Arm & Seal Asm	1			004745	004745	004745
5	• Gasket, Case/Cover	1			001011	001011	001011
6	Switch Asm	1			004744	004744	004744
7	• Wire Pkg	1			004749	004749	004749
8	Relay	1			217093	217093	153833
9	Capacitor & Clamp Asm	1			002381	002381	002381
10	Float, Plastic	1			094039	094039	094039
11	Guide Asm, Fit Rod	1			094048	094048	094048
12	Rod Asm, Fit	1			001043	150438	150438
13	Housing, Mtr-& Str	1	1		003175	150957	150957
14	Bearing, Sleeve	1			001012	N/A	N/A
	• Bearing, Radial				N/A	006703	006703
15	• Handle	1			217069	217069	217069
16	Cord Term&Seal (2m [10'] length CEE 7/7; E/F Plug)				152022	152022	152022
17	Clamp, Strain Relief	1	2		004200	004200	004200
18	• Seal, Cord-Asm & Str Rlf	1	2		151312	151312	151312
19	Plug, Test-White	2			034090	034090	034090
20	Seal, Thru Wall Term	3			003402	003402	003402
21	Rotor & Brg	1			008581	150878	150878
22	• Bearing, Radial	1			001013	010069	010069
23	• Seal, Mtr Hsg	1			001014	001014	001014
24	• Oil, Dielectric	1			003168	011066	011066
25	Adapter-Mach	1			001003	001003	001003
26	• Seal, Shaft	1			002430	002430	002430
27	Flange Pkg 2" Npt	1			10-1305	10-1305	10-1305
	Flange Pkg 3" Npt				10-1306	10-1306	10-1306
28	Impeller	1			002999	002999	002999
29	Housing, Pump-Mach	1			217012	217012	217012
30	• Screw, #10-24 X .375 RHM-SI SS	2			001883	001883	001883
31	• Screw, #6-32 X .25 RHM SI Tc Stlgr	5			001877	001877	001877
32	• Screw, .25-20 X .75 HHm-SS	4			001916	001916	001916
33	• Screw, #6-32 X .438 Rhs1tp Stlzi	2			004644	004644	004644
34	• Screw, .5-13 X 2 HH Cap-SS	2			001909	001909	001909
35	• Washer, SS-1.25Od X .562ld X .078	2			002115	002115	002115
36	• Screw, .313-18 X 1 HH Cap-SS	4			002608	002608	002608
37	• Screw, .25-20 X 1 HHm-SS	4			007790	007790	007790
▣	Rebuild Kit				152036	152037	152037

• Items included in Rebuild Kit.

▣ Not shown in illustration.

NOTES:

- 1) Mtr. Hsg., Brg., Stator & Term. (Item 13) is preassembled at the factory and must be replaced as a unit. Stator is permanently attached to the Motor Housing. Plug (Item 19); Seal, Thru Wall Term. (Item 20) and Bearing-Upper (Item 14) are replaceable.
- 2) If an "X" follows Model No., or Date Mfg. on brass ID tag, consult factory for ordering any parts.
- 3) See FM0160 Parts Price Sheet for listing of parts prices.
- 4) "NA" indicates, not applicable.

REPLACEMENT PARTS LIST FOR MODEL "BL284".

See page 6 for "BL284" illustration.

		MODELS:		BL284-A	BL284-B
REF NO.	DESCRIPTION	QTY	NOTES	12/98 thru 5/10	6/10 thru Current
1	Cover & Cord (Cord-SOW 6m [20'] length no plug)	1		013883	013883
	Cover & Cord (Cord-H07RN-F3G1.5 [20'] length no plug)			N/A	152030
2	Cover-Mach	1	2	001077	001077
3	• Gasket, Case/Cover	1		001011	001011
4	• Wire Pkg (2) Wires	1		004756	004756
5	Capacitor & Clamp Asm	1		002381	002381
6	Housing, Mtr-&Str	1	1	003175	150957
7	Bearing, Sleeve	1		001012	N/A
	• Bearing, Radial			N/A	006703
8	• Handle	1		217069	217069
9	Cord Term&Seal (Cord-SOW 6m [20'] length no plug)	1		005385	005385
	Cover & Cord (Cord-H07RN-F3G1.5 [20'] length no plug)			N/A	152021
10	Clamp, Strain Relief	1	2	001770	001770
11	• Seal, Cord-Asm & Str Rlf (Cord SOW or H07RN-F3G1.5)	1	2	094032	094032
12	• Plug, Test-White	2		034090	034090
13	• Seal, Thru Wall Term	3		003402	003402
14	Rotor & Brg	1		008581	150878
15	• Bearing, Radial	1		001013	010069
16	• Seal, Mtr Hsg	1		001014	001014
17	• Oil, Dielectric	1		003168	011066
18	Adapter-Mach	1		001003	001003
19	• Seal, Shaft	1		002430	002430
20	Flange Pkg 2" Npt	1		10-1305	10-1305
	Flange Pkg 3" Npt			10-1306	10-1306
21	Impeller	1		002999	002999
22	Housing, Pump-Mach	1		217012	217012
23	• Screw, #6-32 X .25 RHM SI Tc Stlgr	3		001877	001877
24	• Screw, #10-24 X .375 RHM-SI SS	1		001883	001883
25	• Screw, .25-20 X .75 HHm-SS	4		001916	001916
26	• Screw, .5-13 X 2 HH Cap-SS	2		001909	001909
27	• Washer, SS-1.25Od X .562ld X .078	2		002115	002115
28	• Screw, .313-18 X 1 HH Cap-SS	4		002608	002608
29	• Screw, .25-20 X 1 HHm-SS	4		007790	007790
▣	Rebuild Kit			152038	152039

- Items included in Rebuild Kit.
- ▣ Not shown in illustration.

NOTES:

- 1) Mtr. Hsg., Brg., Stator & Term. (Item 6) are preassembled at the factory and must be replaced as a unit. Stator is permanently attached to the Motor Housing. Plug (Item 12); Seal, Thru Wall Term. (Item 13) and Bearing - Upper (Item 7) are replaceable.
- 2) If an "X" follows Model No., or Date Mfg. on brass ID tag, consult factory for ordering of this part.
- 3) See FM0160 Parts Price Sheet for listing of parts prices.
- 4) "NA" indicates, not applicable.

REPLACEMENT PARTS LIST FOR MODEL "K284".

See page 7 for "K284" illustration.

				MODELS:	
REF NO.	DESCRIPTION	QTY	NOTES	K284-A	K284-B
				1/97 thru 5/10	6/10 thru Current
1	• Handle	1		217069	217069
2	Cover & Cord (Cord-SOW 5m [15'] length)	1		003760	003760
	Cover & Cord (Cord-H07RN-F3G1.5 [20'] length no plug)			N/A	153215
3	Cover-Mach	1	2	001077	001077
4	• Gasket, Case/Cover	1		001011	001011
5	Housing, Mtr-&Str	1	1	003705	150960
6	Bearing, Sleeve	1		001012	N/A
	• Bearing, Radial			N/A	006703
7	Clamp, Strain Relief	1	2	001770	001770
8	Cord Term&Seal (Cord-SOW 5m [15'] length)	1		003761	003761
	Cover & Cord (Cord-H07RN-F3G1.5 [20'] length no plug)			N/A	153216
9	• Seal, Cord-Asm & Str Rlf (Cord SOW or H07RN-F3G1.5)	1	2	094032	094032
10	• Plug, Test-White	2		034090	034090
11	• Seal, Thru Wall Term	3		003402	003402
12	Rotor & Brg	1		009257	150879
13	• Bearing, Radial	1		001013	010069
14	• Seal, Mtr Hsg	1		001014	001014
15	• Oil, Dielectric	1		003168	011066
16	Adapter-Mach	1		001003	001003
17	• Seal, Shaft	1		002430	002430
18	Impeller	1		007061	007061
19	Flange Pkg 2" Npt	1		10-1305	10-1305
	Flange Pkg 3" Npt			10-1306	10-1306
20	Housing, Pump-Mach	1		217012	217012
21	• Screw, #6-32 X .25 RHM SI Tc Stlgr	1		001877	001877
22	• Screw, .25-20 X .75 HHm-SS	4		001916	001916
23	• Screw, .313-18 X 1 HH Cap-SS	4		002608	002608
24	• Screw, .5-13 X 2 HH Cap-SS	2		001909	001909
25	• Washer, SS-1.25Od X .562ld X .078	2		002115	002115
26	• Screw, #10-24 X .375 RHM-SI SS	1		001883	001883
27	• Screw, .25-20 X 1 HHm-SS	4		007790	007790
28	• Nut, Acorn	1		004351	004351
▣	Rebuild Kit			152038	152039

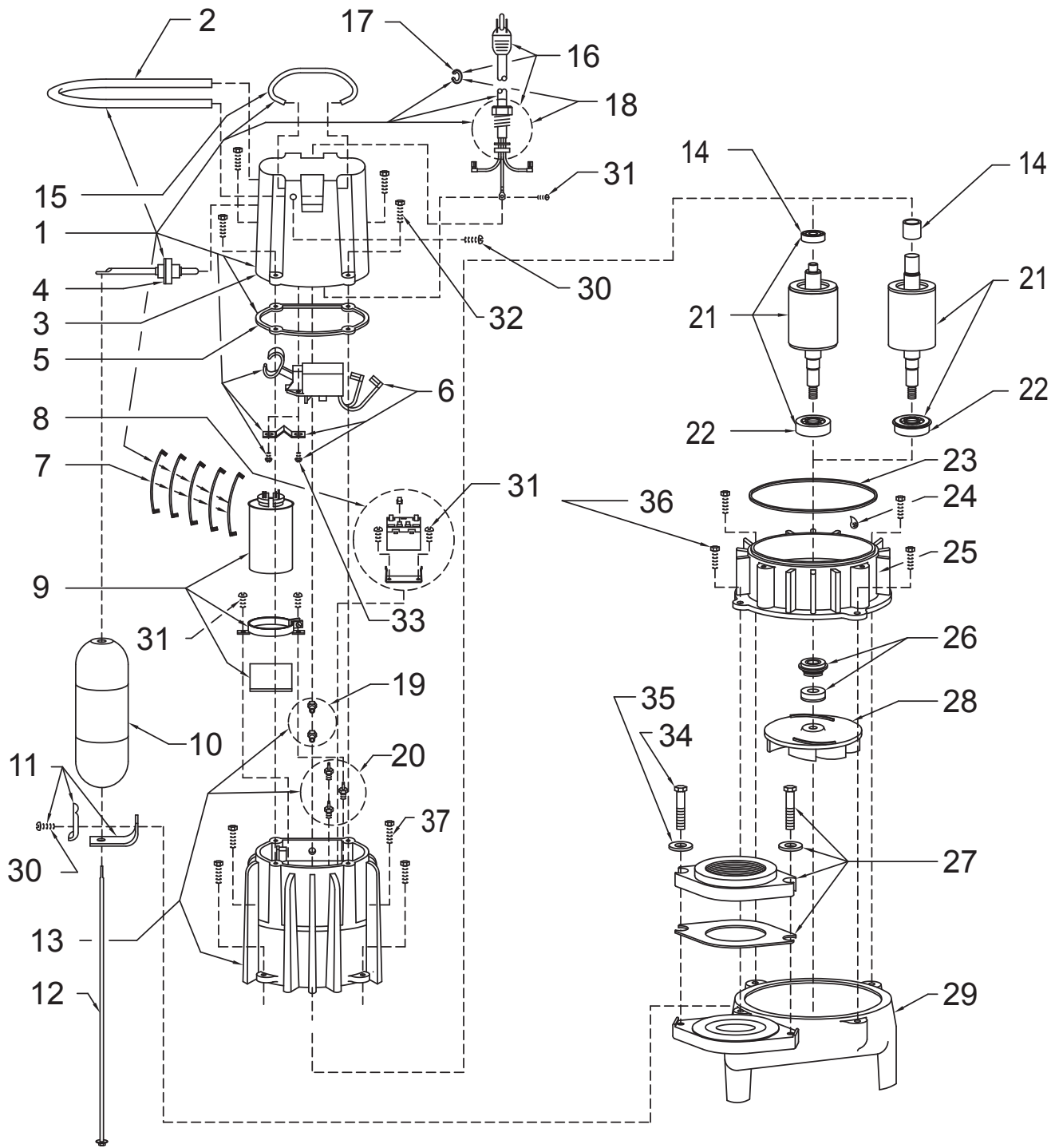
• Items included in Rebuild Kit.

▣ Not shown in illustration.

NOTES:

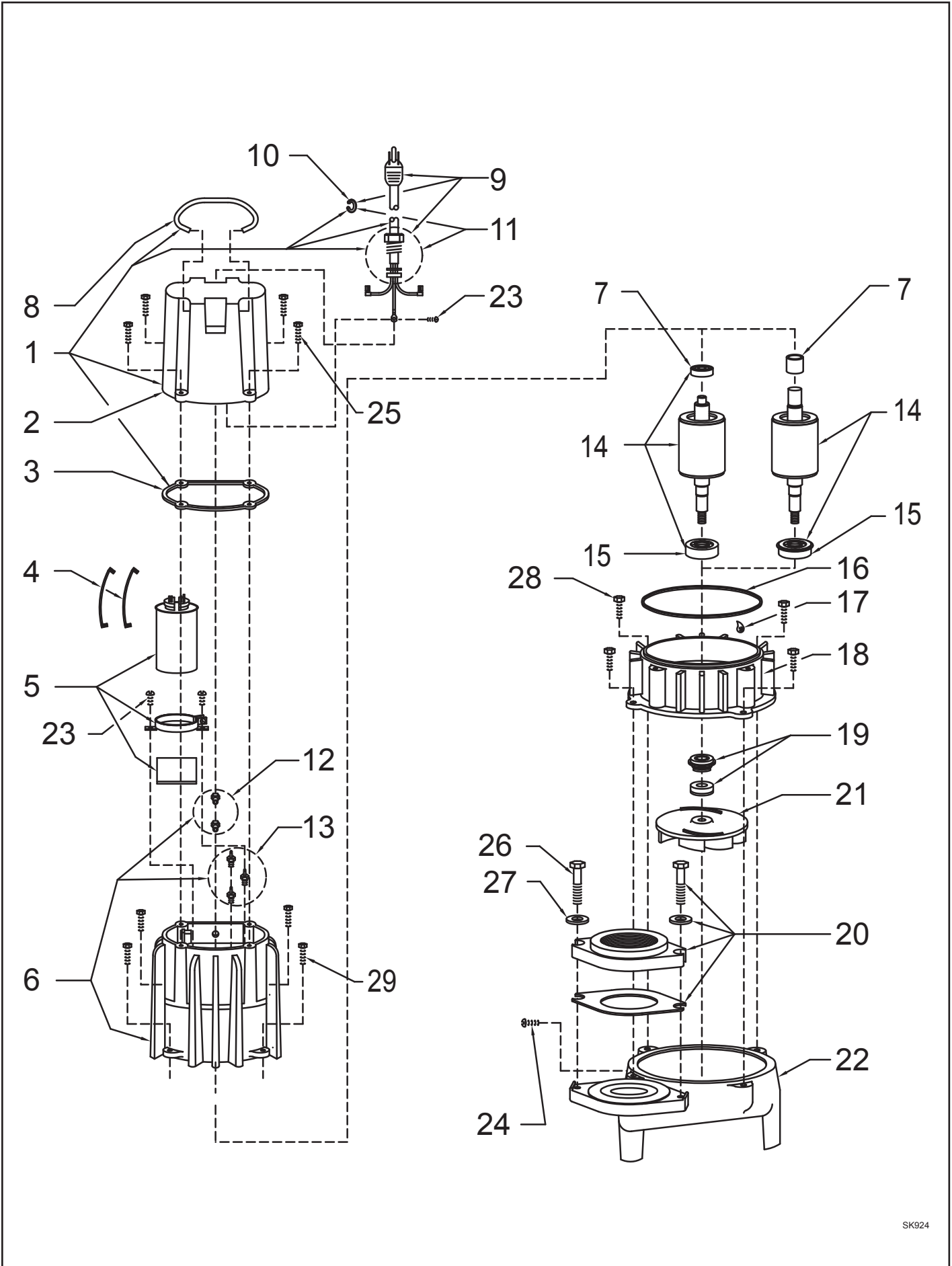
- 1) Mtr. Hsg., Brg., Stator & Term. (Item 5) are preassembled at the factory and must be replaced as a unit. Stator is permanently attached to the Motor Housing. Plug (Item 10); Seal, Thru Wall Term. (Item 11) and Bearing - Upper (Item 6) are replaceable.
- 2) If an "X" follows Model No., or Date Mfg. on brass ID tag, consult factory for ordering of this part.
- 3) See FM0160 Parts Price Sheet for listing of parts prices.
- 4) "NA" indicates, not applicable.

REPLACEMENT PARTS ILLUSTRATION FOR MODEL "BK284"



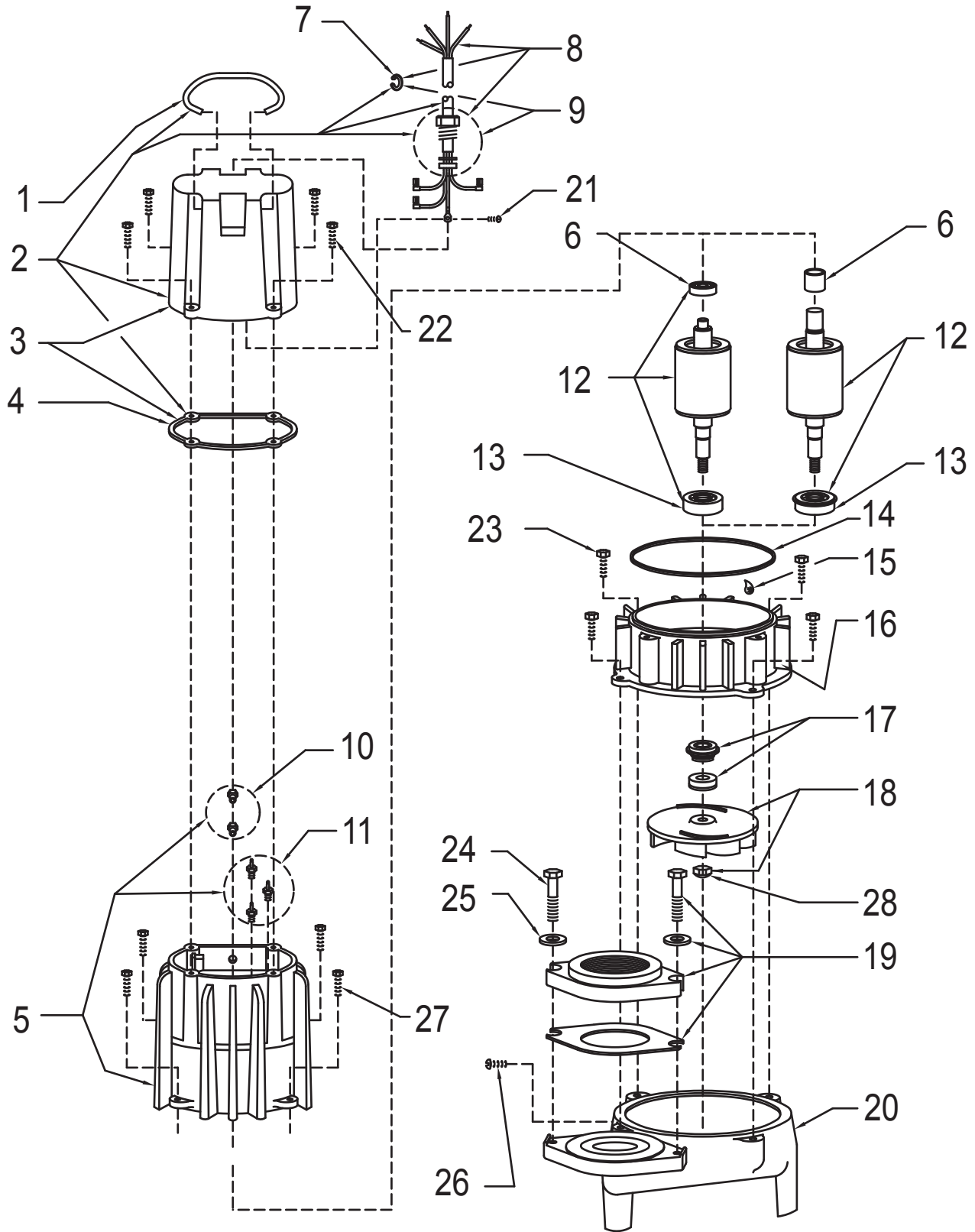
SK334

REPLACEMENT PARTS ILLUSTRATION FOR MODEL "BL284"



SK924

REPLACEMENT PARTS ILLUSTRATION FOR MODEL "K284"



SK1282

NOTES



PUMP COMPANY

MAIL TO: P.O. BOX 16347 • Louisville, KY 40256-0347 USA
SHIP TO: 3649 Cane Run Road • Louisville, KY 40211-1961 USA
+1 (502) 778-2731 • 1-800-928-7867 • FAX +1 (502) 774-3624

Your Peace of Mind is Our Top Priority®

visit our web site:
www.zoeller.com