

Product information presented here reflects conditions at time of publication. Consult factory regarding discrepancies or inconsistencies.

PUMP COMPANY

Zoeller Family of Water Solutions™

MAIL TO: P.O. BOX 16347 • Louisville, KY 40256-0347
SHIP TO: 3649 Cane Run Road • Louisville, KY 40211-1961
(502) 778-2731 • 1 (800) 928-PUMP • FAX (502) 774-3624

visit our web site:
www.zoeller.com

REPLACEMENT PARTS LIST FOR MODELS:

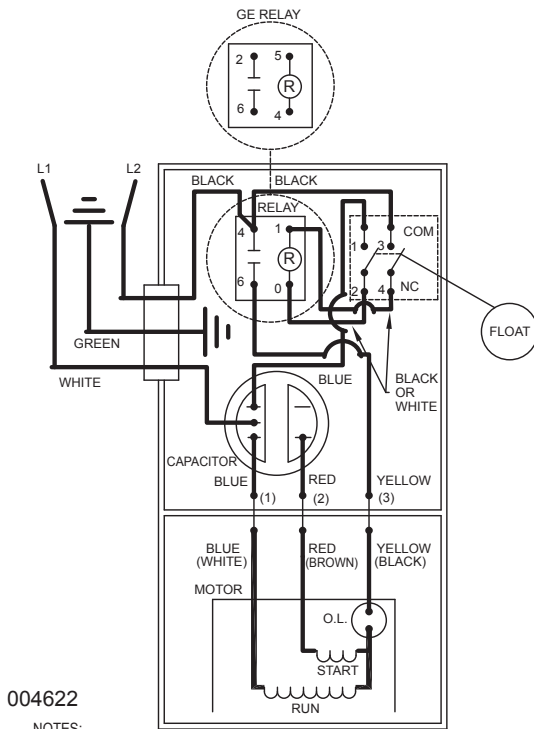
**D186 AUTOMATIC 230V
E186 NONAUTOMATIC 230V**

Consult factory for all others models

TO ORDER REPLACEMENT PARTS:

PLEASE FURNISH THE FOLLOWING INFORMATION:

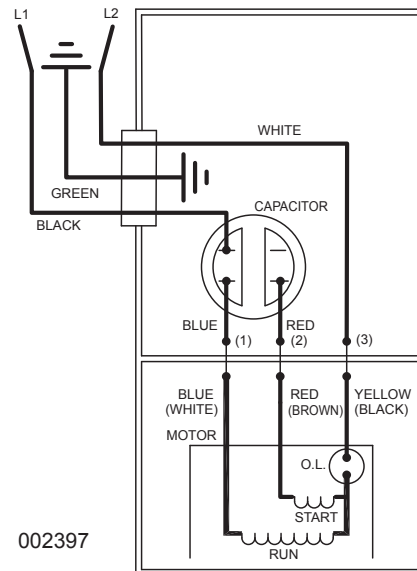
- Model Number.
- Part Number of Pump.
(If manufactured prior to June 1988, give 2 letter date code following Model No.)
- Part Number and Description of part.



NOTES:

INSULATORS REQUIRED ON GE RELAY TERMINALS 2 & 5;
OMRON RELAY TERMINALS 1 & 4.

WIRING DIAGRAM FOR MODELS
"D186" All Revisions
7/89 thru Current



WIRING DIAGRAM FOR MODELS
"E186" All Revisions
7/89 thru Current

REPLACEMENT PARTS LIST FOR MODELS "D186"

See back page for "D186" illustration.

REF. NO.	DESCRIPTION	QTY	NOTES	MODELS: D186-A				
				D186-B	D186-C	D186-D	D186-E	
				7/89 thru 1/91	2/91 thru 4/03	5/03 thru 5/08	6/08 thru 1/16	2/16 thru Current
1	Case Sw & Cord	1	2,3	004748	004754	014167	014167	014167
2	• Handle	1		217069	217069	217069	217069	217069
3	Cord Term & Seal	1	3	002429	004374	014174	014174	014174
4	• Strain Relief	1	3	001770	NA	013764	013764	013764
5	• Seal, Cord-Asm & StrainRelief	1	3	094032	004375	015634	015634	015634
6	Case	1	3	004614	004633	014154	014154	014154
7	• Guard	1		001023	001023	001023	001023	001023
8	• Arm & Seal Asm	1	2	004745	004745	004745	004745	004745
9	• Gasket, Case/Cover	1		001011	001011	001011	001011	001011
10	Switch Asm	1	2	004744	004744	004744	004744	004744
11	• Wire Pkg (5) Wires	1		004751	004751	004751	004751	004751
12	Capacitor & Clamp Asm	1		006135	006135	006135	006135	006135
13	Relay	1		217093	217093	217093	217093	153833
14	Float, Plastic	1		094039	094039	094039	094039	094039
15	Guide Asm, Fit Rod	1		001072	001072	001072	001072	001072
16	Rod Asm, Fit	1		003083	003083	003083	150439	150439
17	Housing, Mtr-&Str	1	1	004993	004993	004993	019233	019233
18	Bearing, Upper Sleeve	1		001012	001012	001012	NA	NA
	• Bearing, Upper Ball			NA	NA	NA	006703	006703
19	• Plug, Test-White	2		034090	034090	034090	034090	034090
20	• Seal, Thru Wall Term	3		003402	003402	003402	003402	003402
21	Rotor & Brg	1		004994	004994	004994	019225	019225
22	• Bearing, Radial	1		001013	001013	001013	010069	010069
23	• Seal, Mtr Hsg	1		001014	001014	001014	001014	001014
24	• Oil, Dielectric	1		002383	002383	003168	011066	011066
25	Adapter-Mach	1		001003	001003	001003	001003	001003
26	• Seal, Shaft	1		002430	002430	002430	002430	002430
	Flange Pkg 2" Npt	1		10-1305	10-1305	10-1305	10-1305	10-1305
	Flange Pkg 3" Npt	1		10-1306	10-1306	10-1306	10-1306	10-1306
28	Impeller "186"	1		004207	004207	004207	004207	004207
29	Housing, Pump-Mach	1		004214	004214	004214	004214	004214
30	Strainer Plate	1		137008	137008	137008	137008	137008
31	• Screw, .25-20 X .75 HHm-SS	4		001916	001916	001916	001916	001916
32	• Screw, .313-18 X 1"HH Cap-SS	4		002608	002608	002608	002608	002608
33	• Screw, #10-24 X.375 RHM-SI SS	2		001883	001883	001883	001883	001883
34	• Screw, #6-32x.438Rhs1p1"Stlzi	2		004644	004644	004644	004644	004644
35	• Sem, 10-24X.375HH-SI Tc.688Wash	2		002000	002000	002000	002000	002000
36	• Washer, SS-1.25"Odx.562"ldx.078	2		002115	002115	002115	002115	002115
37	• Screw, .5-13 X 2 HH Cap-SS	2		001909	001909	001909	001909	001909
38	• Screw, #6-32X.25RHM SI Tc Stlgr	5		001877	001877	001877	001877	001877
39	• Screw, .25-20 X 1" HHm-SS	4		007790	007790	007790	007790	007790
□	Rebuild Kit			004753	004753	016103	019647	019647

• Items included in Rebuild Kit.

□ Not shown in illustration.

NOTES:

- 1) Mtr. Hsg., Brg., Stator & Term. (Item 17) is preassembled at the factory and must be replaced as a unit. Stator is permanently attached to the Motor Housing. Plug (Item 19); Seal, Thru Wall Term. (Item 20) and Bearing - Upper (Item 18) are replaceable.
- 2) When ordering these parts, customer must identify if switch is a General Electric switch.
- 3) If an "X" follows Model No., or Date Mfg. on brass ID tag, consult factory for ordering of this part.
- 4) See FM0160 Parts Price Sheet for listing of parts prices.
- 5) "NA" indicates, not applicable.

REPLACEMENT PARTS LIST FOR MODELS "E186"

See back page for "E186" illustration.

REF. NO.	DESCRIPTION	QTY	NOTES	MODELS: E186-A			
				E186-B	E186-C	E186-D	
				7/89 thru 1/91	2/91 thru 4/03	5/03 thru 5/08	6/08 thru Current
1	• Handle	1		217069	217069	217069	217069
2	Cover & Cord	1	2	002401	004097	014163	014163
3	Cord Term & Seal	1	2	002402	004376	014176	014176
4	Clamp, Strain Relief	1	2	001770	NA	013764	013764
5	• Seal, Cord Asm & Str Rlf	1	2	094032	004375	015634	015634
6	Cover-Mach	1	2	001077	004372	014150	014150
7	• Gasket, Case/Cover	1		001011	001011	001011	001011
8	• Wire Pkg (5) Wires	1		004751	004751	004751	004751
9	• Capacitor & Clamp Asm	1		006135	006135	006135	006135
10	Housing, Mtr & Str	1	1	004993	004993	004993	019233
11	Bearing, Upper Sleeve	1		001012	001012	001012	NA
	• Bearing, Upper Ball			NA	NA	NA	006703
12	• Plug, Test-White	2		034090	034090	034090	034090
13	• Seal, Thru Wall Term	3		003402	003402	003402	003402
14	Rotor & Brg	1		004994	004994	004994	019225
15	• Bearing, Radial	1		001013	001013	001013	010069
16	• Seal, Mtr Hsg	1		001014	001014	001014	001014
17	• Oil, Dielectric	1		002383	002383	003168	011066
18	Adapter-Mach	1		001003	001003	001003	001003
19	• Seal, Shaft	1		002430	002430	002430	002430
20	Flange Pkg 2" Npt	1		10-1305	10-1305	10-1305	10-1305
	Flange Pkg 3" Npt	1		10-1306	10-1306	10-1306	10-1306
21	Impeller "186"	1		004207	004207	004207	004207
22	Housing, Pump-Mach	1		004214	004214	004214	004214
23	Strainer Plate	1		137008	137008	137008	137008
24	• Screw, .25-20 X .75 HHm-SS	4		001916	001916	001916	001916
25	• Screw, .313-18 X 1" HH Cap-SS	4		002608	002608	002608	002608
26	• Screw, #10-24 X.375 RHM-SI SS	2		001883	001883	001883	001883
27	• Sem, 10-24x.375HH-SI Tc.688 Wash	2		002000	002000	002000	002000
28	• Screw, .5-13 X 2 HH Cap-SS	2		001909	001909	001909	001909
29	• Washer, SS-1.25"Odx.562"ldx.078	2		002115	002115	002115	002115
30	• Screw, #6-32x.25RHM SI Tc Stilgr	4		001877	001877	001877	001877
31	• Screw, .25-20x1" HHM-SS	4		007790	007790	007790	007790
▣	Rebuild Kit			004747	004747	014193	019648

• Items included in Rebuild Kit.

▣ Not shown in illustration.

NOTES:

- 1) Mtr. Hsg., Brg., Stator & Term. (Item 10) is preassembled at the factory and must be replaced as a unit. Stator is permanently attached to the Motor Housing. Plug (Item 12); Seal, Thru Wall Term. (Item 13) and Bearing - Upper (Item 11) are replaceable.
- 2) If an "X" follows Model No., or Date Mfg. on brass ID tag, consult factory for ordering of this part.
- 3) See FM0160 Parts Price Sheet for listing of parts prices.
- 4) "NA" indicates, not applicable.



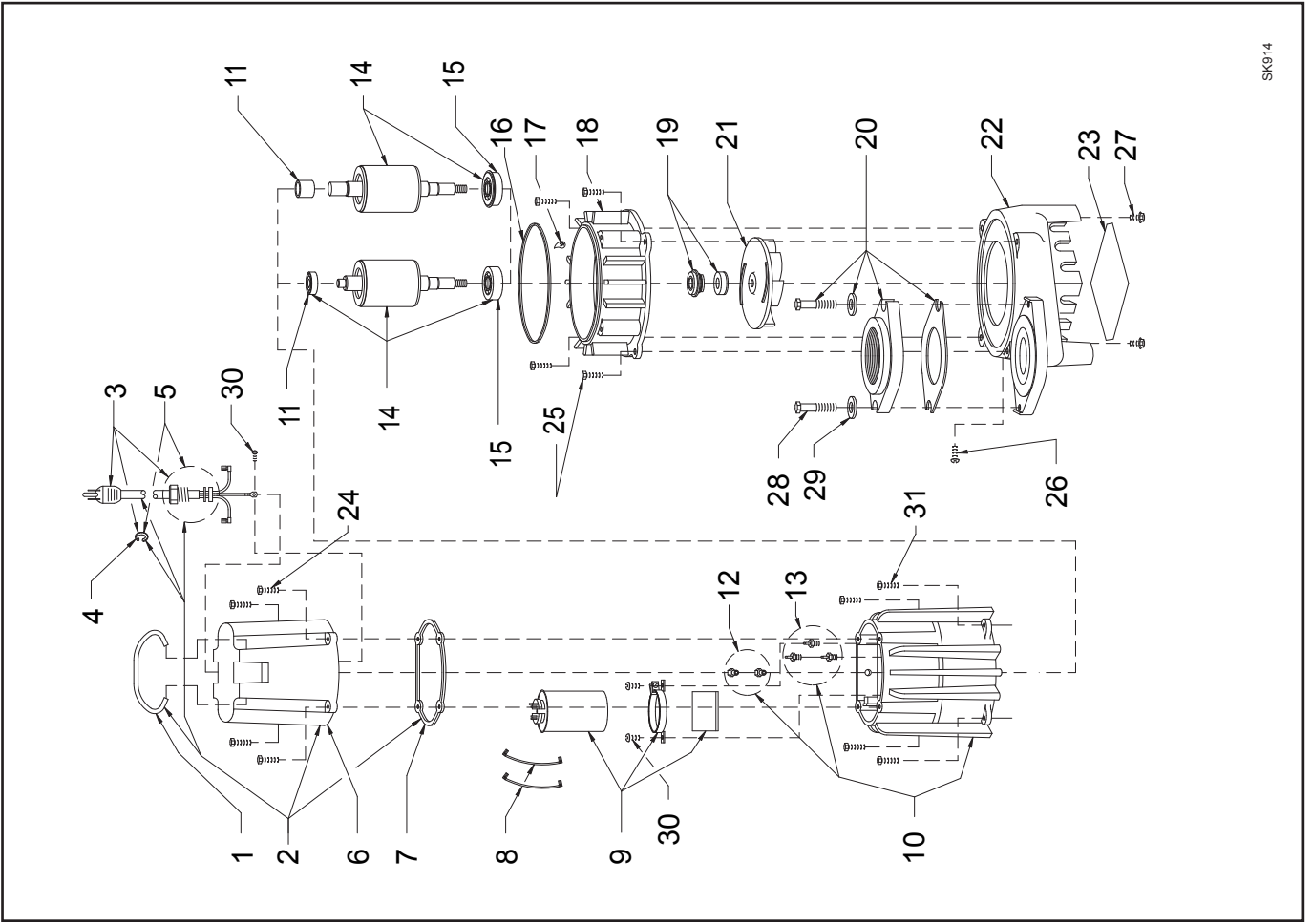
PUMP COMPANY

MAIL TO: P.O. BOX 16347 • Louisville, KY 40256-0347
 SHIP TO: 3649 Cane Run Road • Louisville, KY 40211-1961
 (502) 778-2731 • 1 (800) 928-PUMP • FAX (502) 774-3624

Your Peace of Mind is Our Top Priority®

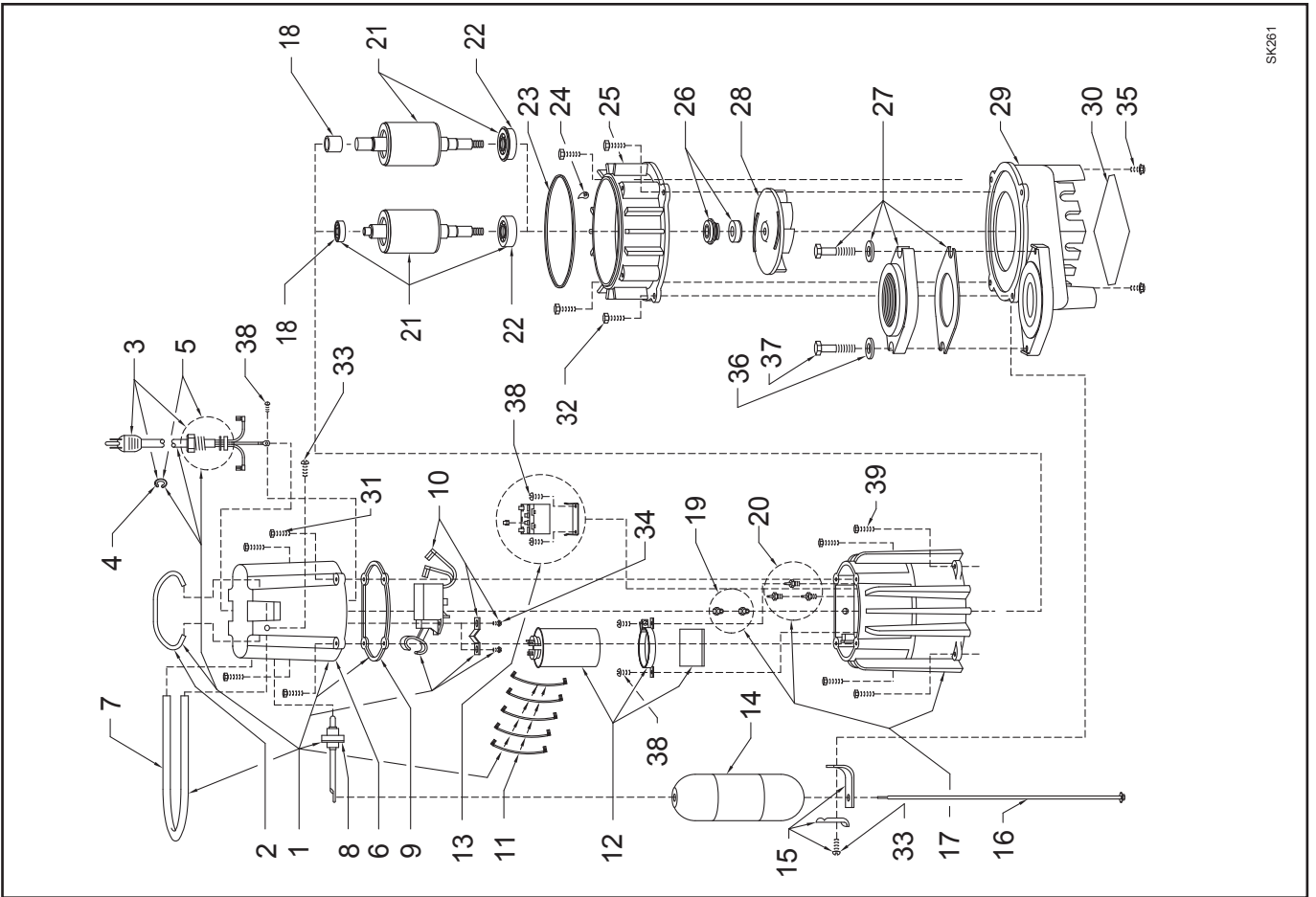
visit our web site:
www.zoeller.com

REPLACEMENT PARTS ILLUSTRATION FOR MODEL "E186"



SK914

REPLACEMENT PARTS ILLUSTRATION FOR MODEL "D186"



SK261