

Product information presented here reflects conditions at time of publication. Consult factory regarding discrepancies or inconsistencies.

**PUMP COMPANY**

Zoeller Family of Water Solutions™

**50/60Hz**

MAIL TO: P.O. BOX 16347 • Louisville, KY 40256-0347 USA  
 SHIP TO: 3649 Cane Run Road • Louisville, KY 40211-1961 USA  
 +1 (502) 778-2731 • 1-800-928-7867 • FAX +1 (502) 774-3624

visit our web site:  
[www.zoeller.com](http://www.zoeller.com)

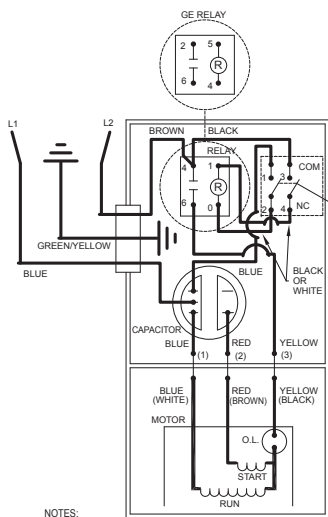
# REPLACEMENT PARTS LIST FOR MODELS: BK161 AUTOMATIC 220V / 60 Hz U161 AUTOMATIC 220V / 50 Hz BL161 NONAUTOMATIC 220V / 60 Hz V161 NONAUTOMATIC 220V / 50 Hz

Consult factory for all other models.

**TO ORDER REPLACEMENT PARTS:**

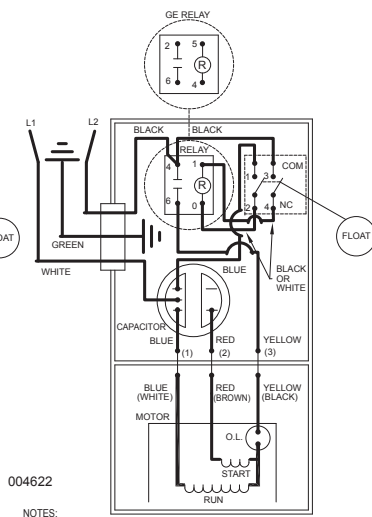
PLEASE FURNISH THE FOLLOWING INFORMATION:

- Model number
- Part number and description of part



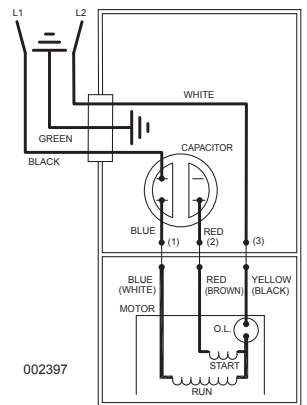
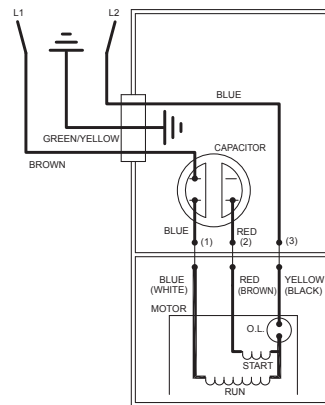
NOTES:  
 INSULATORS REQUIRED ON GE RELAY TERMINALS 2 & 5;  
 OMRON RELAY TERMINALS 1 & 4.

WIRING DIAGRAM FOR MODELS  
 "BK161" 12/98 thru Current  
 "U161" 11/95 thru Current



NOTES:  
 INSULATORS REQUIRED ON GE RELAY TERMINALS 2 & 5;  
 OMRON RELAY TERMINALS 1 & 4.

WIRING DIAGRAM FOR MODELS  
 "BL161" 9/00 thru Current  
 "V161" 9/00 thru Current



# REPLACEMENT PARTS LIST FOR MODELS "BK161"

See page 6 for "BK161" illustration.

REF. NO.	DESCRIPTION	QTY	NOTES	MODELS:		
				BK161-A	BK161-B	BK161-C
				12/98 thru 11/09	12/09 thru 1/16	2/16 thru Current
1	Case Sw & Cord (5 m [15'] length CEE 7/7; E/F Plug)	1	2, 3	152025	152025	152025
2	• Handle	1		217069	217069	217069
3	Cord Term & Seal (5 m [15'] length CEE 7/7; E/F Plug)	1	3	152017	152017	152017
4	Clamp, Strain Relief	1		004200	004200	004200
5	Seal Cord, Asm & Str Rif	1		151312	151312	151312
6	Case-Mach	1	2, 3	004614	004614	004614
7	• Guard	1		001023	001023	001023
8	• Arm & Seal Asm	1	2	004745	004745	004745
9	• Gasket, Case/Cover	1		001011	001011	001011
10	Switch Asm	1	2	004744	004744	004744
11	• Wire Pkg, (5) Wires	1		004749	004749	004749
12	Capacitor & Clamp Asm	1		002381	002381	002381
13	Relay	1		217093	217093	153833
14	Float	1		094039	094039	094039
15	Guide Asm, Float Rod	1		001072	001072	001072
16	Rod Asm, Float	1		003083	150439	150439
17	Housing, Motor & Stator	1	1	002504	150582	150582
18	Bearing, Sleeve	1		001012	N/A	N/A
	• Bearing, Radial			N/A	006703	006703
19	• Plug, Test	2		034090	034090	034090
20	• Seal, Thru Wall Term	3		003402	003402	003402
21	Rotor & Brg	1		002691	150575	150575
22	• Bearing, Radial	1		001013	010069	010069
23	• Seal, Mtr Hsg	1		001014	001014	001014
24	• Oil, Dielectric	1		003168	011066	011066
25	Adapter Mach	1		001003	001003	001003
26	• Seal, Shaft	1		002430	002430	002430
27	Flange Pkg, 2"	1		10-1305	10-1305	10-1305
	Flange Pkg, 3"			10-1306	10-1306	10-1306
28	Impeller "161"	1		004307	004307	004307
29	Housing, Pump-Mach	1		004188	004188	004188
30	Strainer Plate	1		137008	137008	137008
31	• Screw, #.25 - 20 x.75 HHM	9		001916	001916	001916
32	• Screw, .313 - 18 x 1 HH Cap SS	4		002608	002608	002608
33	• Screw, #10 - 24 x .375 RHM	2		001883	001883	001883
34	• Screw, #6 - 32 x .438	2		004644	004644	004644
35	• Screw, Sem #10 - 24 x .375 HH SL .688 Washer	2		002000	002000	002000
36	• Washer, SS 1.25 x .562 x .078	2		002115	002115	002115
37	• Screw, #.5 - 13 x2 HH Cap SS	2		001909	001909	001909
38	• Screw, #6 - 32 x .25 RHM	5		001877	001877	001877
39	• Screw, #.25 - 20 x1 HHM	4		007790	007790	007790
□	Rebuild Kit	1		152036	152037	152037

• Items included in Rebuild Kit.

□ Not shown in illustration.

## NOTES:

- 1) Housing Mtr. & Stator (Item 17) is preassembled at the factory and must be replaced as a unit. Stator is permanently attached to the Motor Housing. Plug (Item 19); Seal, Thru Wall Term. (Item 20) and Bearing - Upper (Item 18) are replaceable.
- 2) If an "X" follows Model No., or Date Mfg. on ID tag, consult factory for ordering of this part.
- 3) Consult factory/sales representative for a listing of parts prices.
- 4) "NA" indicates, not applicable.

# REPLACEMENT PARTS LIST FOR MODELS "U161"

See page 6 for "U161" illustration.

REF. NO.	DESCRIPTION	QTY	NOTES	MODELS:		
				U161-A&B	U161-C	U161-D
				11/95 thru 11/09	12/09 thru 1/16	2/16 thru Current
1	Case Sw & Cord (Cord, SOW - 6 m [20'] length, no plug)	1	2	005383	005383	005383
	Case Sw & Cord (Cord, 10 m [33'] length, BS1363/A, UK plug)			151264	151264	151264
	Case Sw & Cord (Cord, 5 m [15'] length, CEE 7/7, E/F plug)			152025	152025	152025
	Case Sw & Cord (Cord, 5 m [15'] length, AS/NZS 3112, I plug)			152024	152024	152024
2	• Handle	1		217069	217069	217069
3	Cord Term & Seal (SOW 6 m [20'] length)	1	2	005384	005384	005384
	Cord Term & Seal (10 m [33'] length, BS1363/A, UK plug)			151262	151262	151262
	Cord Term & Seal (5 m [15'] length, CEE 7/7, E/F Plug)			152017	152017	152017
	Cord Term & Seal (5 m [15'] length, AS/NZS 3112, I plug)			152015	152015	152015
4	Clamp, Strain Relief (Cord, SOW)	1	2	001770	001770	001770
	Clamp, Strain Relief			004200	004200	004200
5	• Seal Cord, Asm & Str Rlf (Cord, SOW)	1	2	094032	094032	094032
	• Seal Cord, Asm & Str Rlf			151312	151312	151312
6	Case-Mach	1	2	004614	004614	004614
7	• Guard	1		001023	001023	001023
8	• Arm & Seal Asm	1		004745	004745	004745
9	• Gasket, Case /Cover	1		001011	001011	001011
10	Switch Asm	1		004744	004744	004744
11	• Wire Pkg, (5) Wires	1		004749	004749	004749
12	Capacitor & Clamp Asm	1		002381	002381	002381
13	Relay	1		217093	217093	153833
14	Float	1		094039	094039	094039
15	Guide Asm, Float Rod	1		001072	001072	001072
16	Rod Asm, Float	1		003083	150439	150439
17	Housing, Motor & Stator	1	1	002504	150582	150582
18	Bearing, Sleeve	1		001012	N/A	N/A
	• Bearing, Radial			N/A	006703	006703
19	• Plug, Test	2		034090	034090	034090
20	• Seal, Thru Wall Term	3		003402	003402	003402
21	Rotor & Brg	1		002691	150575	150575
22	• Bearing, Radial	1		001013	010069	010069
23	• Seal, Mtr Hsg	1		001014	001014	001014
24	• Oil, Dielectric	1		003168	011066	011066
25	Adapter Mach	1		001003	001003	001003
26	• Seal, Shaft	1		002430	002430	002430
27	Flange Pkg, 2"	1		10-1305	10-1305	10-1305
	Flange Pkg, 3"			10-1306	10-1306	10-1306
28	Impeller "161"	1		004307	004307	004307
29	Housing, Pump-Mach	1		004188	004188	004188
30	Strainer Plate	1		137008	137008	137008
31	• Screw, #.25 - 20 x.75 HHM	9		001916	001916	001916
32	• Screw, .313 - 18 x 1 HH Cap SS	4		002608	002608	002608
33	• Screw, #10 - 24 x .375 RHM	2		001883	001883	001883
34	• Screw, #6 - 32 x .438	2		004644	004644	004644
35	• Screw, Sem #10 - 24 x .375 HH SL .688 Washer	2		002000	002000	002000
36	• Washer, SS 1.25 x .562 x .078	2		002115	002115	002115
37	• Screw, #.5 - 13 x2 HH Cap SS	2		001909	001909	001909
38	• Screw, #6 - 32 x .25 RHM	5		001877	001877	001877
39	• Screw, #.25 - 20 x1 HHM	4		007790	007790	007790
□	Rebuild Kit	1		152036	152037	152037

• Items included in Rebuild Kit.

□ Not shown in illustration.

## NOTES:

- Mtr. Hsg., Brg., Stator & Term. (Item 17) is preassembled at the factory and must be replaced as a unit. Stator is permanently attached to the Motor Housing. Plug (Item 19); Seal, Thru Wall Term. (Item 20) and Bearing - Upper (Item 18) are replaceable.
- When ordering these parts, customer must identify if switch is a General Electric switch.
- If an "X" follows Model No., or Date Mfg. on ID tag, consult factory for ordering of this part.
- Consult factory/sales representative for a listing of parts prices.
- "NA" indicates, not applicable.
- When ordering specify either GE or Emerson Motor.

# REPLACEMENT PARTS LIST FOR MODELS "BL161"

See page 6 for "BL161" illustration.

REF. NO.		DESCRIPTION	QTY	NOTES	MODELS:	BL161-A	BL161-B
						9/00 thru 11/09	12/09 thru Current
1	•	Handle	1			217069	217069
2		Cover & Cord	1	2		013883	013883
3		Cord, Term, & Seal	1	2		005385	005385
4		Clamp, Strain Relief	1	2		001770	001770
5		Seal Asm., Cord & Strain Relief	1	2		094032	094032
6		Cover-Mach	1	2,3		001077	001077
7	•	Gasket, Case/Cover	1			001011	001011
8	•	Wire Pkg (2) Wires	1			004756	004756
9	•	Capacitor & Clamp Asm	1			002381	002381
10		Housing, Mtr & Str	1	1		002497	002497
11		Bearing, Sleeve	1			001012	NA
	•	Bearing, Radial	1			NA	006703
12		Plug, Test-White	2			034090	034090
13		Seal Thru Wall Term	3			003402	003402
14		Rotor & Brg	1			002691	150575
15		Bearing, Radial	1			001013	010069
16		Seal, Mtr Hsg	1			001014	001014
17		Oil, Dielectric	1			003168	011066
18	•	Adapter-Mach	1			001003	001003
19	•	Seal, Shaft	1			002430	002430
20	•	Flange Pkg 2" Npt	1			10-1305	10-1305
		Flange Pkg 3" Npt				10-1306	10-1306
21	•	Impeller "161"	1			004307	004307
22	•	Housing, Pump-Mach	1			004188	004188
23	•	Strainer Plate	1			137008	137008
24		Screw, .25 - 20 x .75 HHm-SS	4			001916	001916
25	•	Screw, .313 - 18 x 1"HH Cap-SS	4			002608	002608
26		Screw, #10 - 24 x .375 RHM-SI SS	1			001883	001883
27		Sem, 10 - 24 x .375HH-SI Tc.688 Wash	2			002000	002000
28		Screw, .5-13 x 2 HH Cap-SS	2			001909	001909
29		Washer, SS-1.25" Od x .562" Idx. 078	2			002115	002115
30		Screw, #6 - 32 x .25 RHM SI Tc Stlgr	4			001877	001877
31	•	Screw, .25 - 20 x 1" HHm-SS	4			007790	007790
▣		Rebuild Kit				152038	152039

• Items included in Rebuild Kit.

▣ Not shown in illustration.

## NOTES:

- 1) Mtr. Hsg., Brg., Stator & Term. (Item 10) is preassembled at the factory and must be replaced as a unit. Stator is permanently attached to the Motor Housing. Plug (Item 12); Seal, Thru Wall Term. (Item 13) and Bearing - Upper (Item 15) are replaceable.
- 2) If an "X" follows Model No., or Date Mfg. on ID tag, consult factory for ordering of this part.
- 3) Consult factory/sales representative for a listing of parts prices.
- 4) "NA" indicates, not applicable.

# REPLACEMENT PARTS LIST FOR MODELS "V161"

See page 6 for "V161" illustration.

REF. NO.		DESCRIPTION	QTY	NOTES	MODELS:	V161-A	V161-B
						9/00 thru 11/09	12/09 thru Current
1	•	Handle	1			217069	217069
2		Cover & Cord (Cord, SOW - 6 m [20'], no plug)	1	2		013883	013883
		Cover & Cord (Cord, 10 m [33'] BS 1363/A, UK plug)				151265	151265
		Cover & Cord (Cord, 10 m [33'] CEE 7/7, E/F plug)				152027	152027
		Cover & Cord (Cord, 5 m [15'] AS/NZS 3112, I plug)				152026	152026
3		Cord, Term. & Seal (SOW, 6 m [20'])	1	2		005385	005385
		Cord, Term. & Seal (Cord, 10 m [33'] BS 1363/A, UK plug)				151263	151263
		Cord, Term. & Seal (Cord, 10 m [33'] CEE 7/7, E/F plug)				152018	152018
		Cord, Term. & Seal (Cord, 5 m [15'] AS/NZS 3112, I plug)				152016	152016
4		Clamp, Strain Relief (Cord, SOW)	1	2		001770	001770
		Clamp, Strain Relief				004200	004200
5	•	Seal Asm., Cord & Strain Relief (Cord, SOW)	1	2		094032	094032
		Seal Asm., Cord & Strain Relief				151312	151312
6		Cover-Mach	1	2		001077	001077
7	•	Gasket, Case/Cover	1			001011	001011
8	•	Wire Pkg (2) Wires	1			004756	004756
9		Capacitor & Clamp Asm	1			002381	002381
10		Housing, Mtr & Str	1	1		002504	150582
11		Bearing, Sleeve	1			001012	NA
		Bearing, Radial				NA	006703
12	•	Plug, Test-White	2			034090	034090
13		Seal Thru Wall Term	3			003402	003402
14	•	Rotor & Brg	1			002691	150575
15	•	Bearing, Radial	1			001013	010069
16	•	Seal, Mtr Hsg	1			001014	001014
17		Oil, Dielectric	1			003168	011066
18		Adapter-Mach	1			001003	001003
19	•	Seal, Shaft	1			002430	002430
20		Flange Pkg 2" Npt	1			10-1305	10-1305
		Flange Pkg 3" Npt				10-1306	10-1306
21		Impeller "161"	1			004307	004307
22	•	Housing, Pump-Mach	1			004188	004188
23	•	Strainer Plate	1			137008	137008
24	•	Screw, .25-20 X .75 HHm-SS	4			001916	001916
25	•	Screw, .313-18 X 1" HH Cap-SS	4			002608	002608
26	•	Screw, #10-24 X .375 RHM-SI SS	1			001883	001883
27	•	Sem, #10-24x.375HH-SI Tc.688 Wash	2			002000	002000
28	•	Screw, .5-13 X 2 HH Cap-SS	2			001909	001909
29	•	Washer, SS-1.25" Odx.562" ldx.078	2			002115	002115
30	•	Screw, #6-32x.25RHM SI Tc Stlgr	4			001877	001877
31	•	Screw, .25-20x1" HHm-SS	4			007790	007790
▣		Rebuild Kit				152038	152039

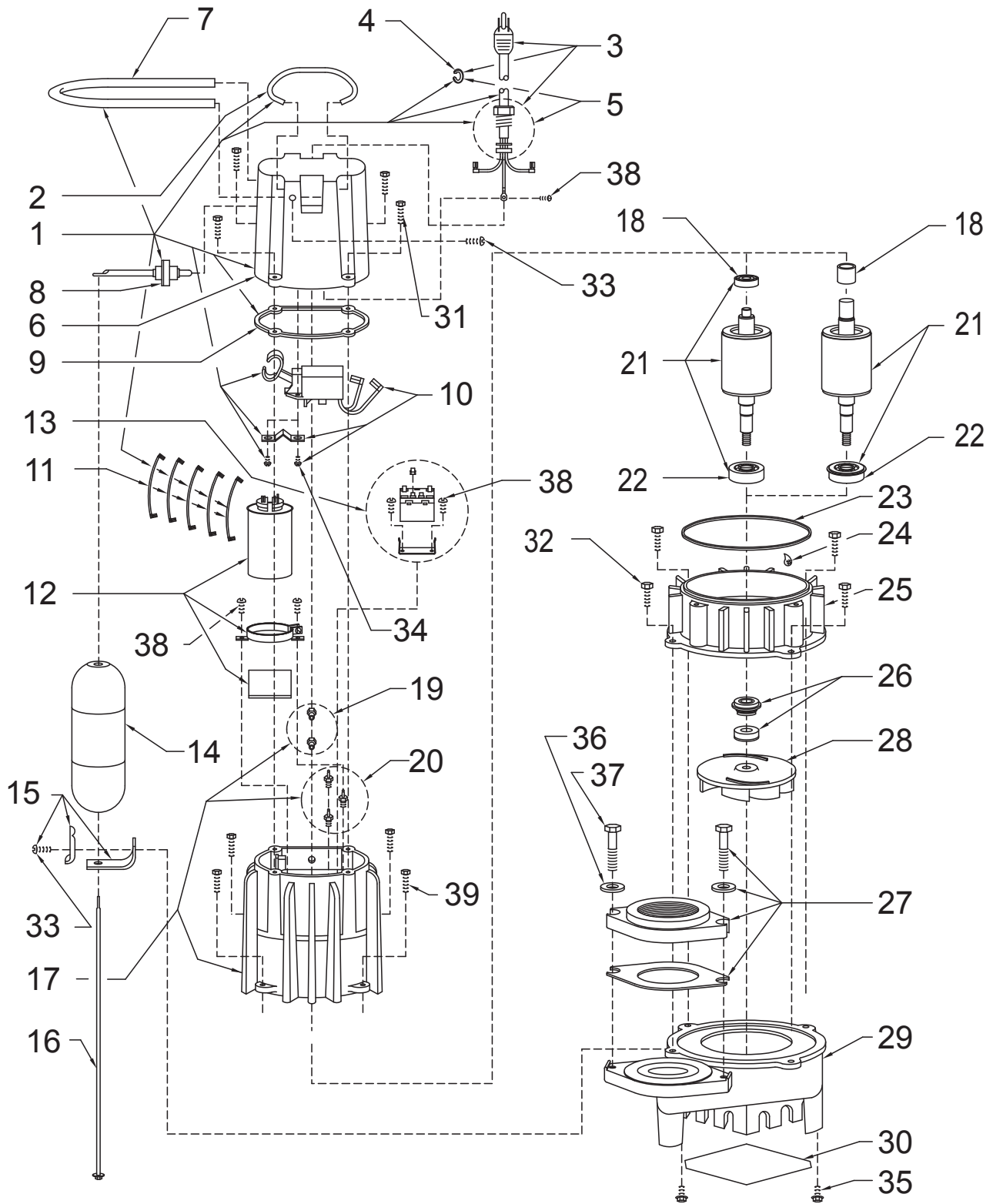
• Items included in Rebuild Kit.

▣ Not shown in illustration.

## NOTES:

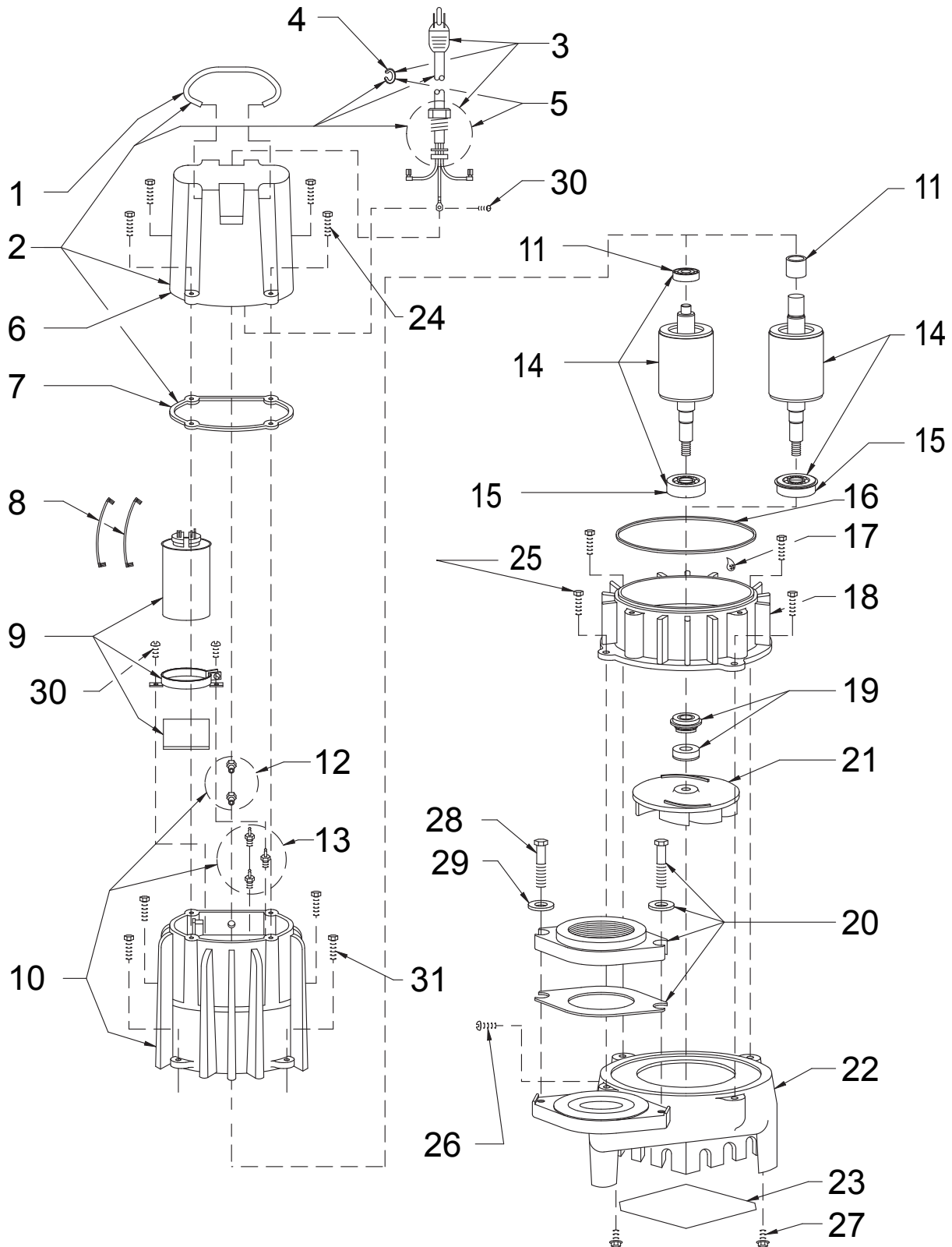
- 1) Mtr. Hsg., Brg., Stator & Term. (Item 10) is preassembled at the factory and must be replaced as a unit. Stator is permanently attached to the Motor Housing. Plug (Item 12); Seal, Thru Wall Term. (Item 13) and Bearing - Upper (Item 15) are replaceable.
- 2) If an "X" follows Model No., or Date Mfg. on ID tag, consult factory for ordering of this part.
- 3) Consult factory/sales representative for a listing of parts prices.
- 4) "NA" indicates, not applicable.

REPLACEMENT PARTS ILLUSTRATION FOR MODELS "BK161" AND "U161"



SK261

REPLACEMENT PARTS ILLUSTRATION FOR MODELS "BL161" AND "V161"



SK914



**PUMP COMPANY**

**MAIL TO:** P.O. BOX 16347 • Louisville, KY 40256-0347 USA  
**SHIP TO:** 3649 Cane Run Road • Louisville, KY 40211-1961 USA  
+1 (502) 778-2731 • 1-800-928-7867 • FAX +1 (502) 774-3624

**Your Peace of Mind is Our Top Priority®**

**visit our web site:**  
**[www.zoeller.com](http://www.zoeller.com)**