

Product information presented here reflects conditions at time of publication. Consult factory regarding discrepancies or inconsistencies.

MAIL TO: P.O. BOX 16347 • Louisville, KY 40256-0347
SHIP TO: 3649 Cane Run Road • Louisville, KY 40211-1961
(502) 778-2731 • 1 (800) 928-PUMP • FAX (502) 774-3624

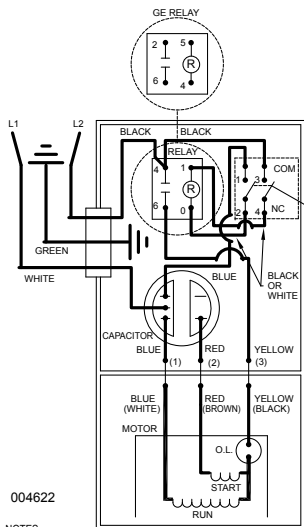
visit our web site:
www.zoeller.com

REPLACEMENT PARTS LIST FOR MODELS: BK295 AUTOMATIC 220V/1PH BL295 NONAUTOMATIC 220V/1PH

Consult factory for all others models

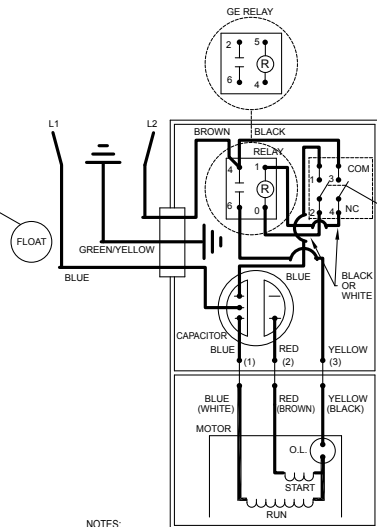
**TO ORDER REPLACEMENT PARTS
PLEASE FURNISH THE
FOLLOWING INFORMATION:**

- Model Number.
- Part Number of Pump.
- Part Number and Description of part.



004622
NOTES:
INSULATORS REQUIRED ON GE RELAY TERMINALS 2 & 5;
OMRON RELAY TERMINALS 1 & 4.

WIRING DIAGRAM FOR MODEL
"BK295-F" thru "BK295-G"
10/00 thru Current



002397
NOTES:
INSULATORS REQUIRED ON GE RELAY TERMINALS 2 & 5;
OMRON RELAY TERMINALS 1 & 4.

WIRING DIAGRAM FOR MODEL
"BL295-A", "BL295-B", "BL295-C"
2/99 thru Current

REPLACEMENT PARTS LIST FOR MODEL "BK295".

See page 4 for illustration.

REF. NO.	DESCRIPTION	QTY	NOTES	MODELS:				
				BK295-D	BK295-E	BK295-F	BK295-G	BK295-H
				10/00 thru 4/03	5/03 thru 5/08	6/08 thru 1/16	2/16 thru 5/16	6/16 thru Current
1	Case Sw & Cord (Cord, SOW-20' length no plug)	1	2	014156	014156	014156	014156	014156
	Case Sw & Cord (Cord-20' length H07RN-F3G2.5 no plug)			N/A	N/A	153114	153114	153114
2	• Guard	1		001023	001023	001023	001023	001023
3	Case-Mach (Cord, SOW)	1	2	014154	014154	014154	014154	014154
	Case-Mach (Cord, H07RN-F3G2.5)			N/A	N/A	152845	152845	152845
4	• Arm & Seal Asm	1	2	004745	004745	004745	004745	004745
5	• Gasket,Case/Cover	1		001011	001011	001011	001011	001011
6	Switch Asm	1	2	004744	004744	004744	004744	004744
7	• Wire Pkg (5) Wires	1		004751	004751	004751	004751	004751
8	Relay	1		217093	217093	217093	153833	153833
9	Capacitor & clamp Asm	1		006135	006135	006135	006135	006135
10	Float,Plastic	1		094039	094039	094039	094039	094039
11	Guide Asm,Fit Rod	1		001072	001072	001072	001072	001072
12	Rod Asm,Fit	1		001043	001043	150438	150438	150438
13	Housing,Mtr-&Str	1	1	004993	004993	019223	019223	019223
14	Bearing, Sleeve	1		001012	001012	N/A	N/A	N/A
	• Bearing, Radial			N/A	N/A	006703	006703	006703
15	• Handle	1		217069	217069	217069	217069	217069
16	Cord Term&Seal (SOW-20' length)	1	3	005149	014172	014172	014172	014172
	Cord Term&Seal (33' length BS 1363/A; UK Plug)			N/A	153115	153115	153115	153115
17	Clamp, strain relief (Cord, SOW)	1	3	013764	013764	013764	013764	013764
	Clamp, strain relief			N/A	N/A	001770	001770	001770
18	• Seal,Cord-Asm&Str Rlf (Cord, SOW)	1	3	015635	015634	015634	015634	015634
	• Seal,Cord-Asm&Str Rlf (Cord, H07RN-F3G2.5)			N/A	N/A	012953	012953	012953
19	• Plug,Test-White	2		034090	034090	034090	034090	034090
20	• Seal,Thru Wall Term	3		003402	003402	003402	003402	003402
21	Rotor & Brg	1		004994	004994	019225	019225	019225
22	• Bearing,Radial	1		001013	001013	010069	010069	010069
23	• Seal,Mtr Hsg	1		001014	001014	001014	001014	001014
24	• Oil,Dielectric	1		003168	003168	011066	011066	011066
25	Adapter-Mach	1		001003	001003	001003	001003	001003
26	• Seal,Shaft	1		002430	002430	002430	002430	002430
27	Flange Pkg 2"Npt	1		10-1305	10-1305	10-1305	10-1305	10-1305
	Flange Pkg 3"Npt			10-1306	10-1306	10-1306	10-1306	10-1306
28	Impeller, Bronze	1		004173	004173	004173	004173	154006
	Impeller, "295" Cast Iron	1		N/A	N/A	N/A	N/A	154003
29	Housing,Pump-Mach	1		001005	001005	001005	001005	001005
30	• Screw,#10-24 X.375 RHM-SI SS	2		001883	001883	001883	001883	001883
31	• Screw,#6-32x.25RHM SI Tc Stlgr	5		001877	001877	001877	001877	001877
32	• Screw,.25-20 X .75 HHm-SS	4		001916	001916	001916	001916	001916
33	• Screw,#6-32x.438RHsltp*1"Stlzi	2		004644	004644	004644	004644	004644
34	• Screw,.5-13 X 2 HH Cap-SS	2		001909	001909	001909	001909	001909
35	• Washer,SS-1.25"Odx.562"ldx.078	2		002115	002115	002115	002115	002115
36	• Screw,.313-18 X 1"HH Cap-SS	4		002608	002608	002608	002608	002608
37	• Screw,.25-20x1" HHm-SS	4		007790	007790	007790	007790	007790
▣	Rebuild Kit			004753	016103	019647	019647	019647

• Items included in Rebuild Kit.

▣ Not Shown in Illustration.

NOTES:

- 1) Mtr. Hsg., Brg., Stator & Term. (Item 13) is preassembled at the factory and must be replaced as a unit. Stator is permanently attached to the Motor Housing. Plug (Item 19), Seal, Thru Wall Term. (Item 20) and Bearing - Upper (Item 14) are replaceable.
- 2) If an "X" follows Model No., or Date Mfg. on brass ID tag, consult factory for ordering of this part.
- 3) See FM0160 Parts Price Sheet for listing of parts prices.
- 4) "NA" indicates, not applicable.

REPLACEMENT PARTS LIST FOR MODEL "BL295".

See page 4 for illustration.

REF. NO.	DESCRIPTION	QTY	NOTES	MODELS:			
				BL295-A	BL295-B	BL295-C	BL295-D
				2/99 thru 4/03	5/03 thru 5/08	6/08 thru 5/16	6/16 thru Current
1	• Handle	1		217069	217069	217069	217069
2	Cover & Cord (Cord - 20' length SOW no plug)	1	2	014159	014159	014159	014159
	Cover & Cord (Cord - 20' length H07RN-F3G2.5 no plug)			N/A	N/A	153099	153099
3	Cover-Mach (Cord, SOW)	1	2	004372	014150	014150	014150
	Cover-Mach (Cord, HJ07RN-F3G2.5)			N/A	N/A	152844	152844
4	• Gasket,Case/Cover	1		001011	001011	001011	001011
5	• Wire Pkg (2) Wires	1		011092	011092	011092	011092
6	Capacitor & Clamp Asm			006135	006135	006135	006135
7	Housing,Mtr-&Str	1	1	004993	004993	019233	019233
8	Bearing, Upper Sleeve	1		001012	001012	N/A	N/A
	Bearing, Radial			N/A	N/A	006703	006703
9	Cord Term&Seal (20' length SOW)	1	2	005130	014173	014173	014173
	Cord Term&Seal (20' length H07RN-F3G2.5)			N/A	N/A	153100	153100
10	Clamp, Strain Relief (Cord, SOW)	1	2	013764	013764	013764	013764
	Clamp, Strain Relief			N/A	N/A	001770	001770
11	• Seal,Cord-Asm&Str Rlf (Cord, SOW)	1	2	015635	015634	015634	015634
	• Seal,Cord-Asm&Str Rlf (Cord, H07RN-F3G2.5)			N/A	N/A	012953	012953
12	• Plug,Test-White	2		034090	034090	034090	034090
13	• Seal,Thru Wall Term	3		003402	003402	003402	003402
14	Rotor & Brg	1		004994	004994	019225	019225
15	• Bearing,Radial	1		001013	001013	010069	010069
16	• Seal,Mtr Hsg	1		001014	001014	001014	001014
17	• Oil,Dielectric	1		003168	003168	011066	011066
18	Adapter-Mach	1		001003	001003	001003	001003
19	• Seal,Shaft	1		002430	002430	002430	002430
20	Flange Pkg 2"Npt	1		10-1305	10-1305	10-1305	10-1305
	Flange Pkg 3"Npt			10-1306	10-1306	10-1306	10-1306
21	Impeller, Bronze	1		004173	004173	004173	154006
	Impeller, "295" Cast Iron	1		N/A	N/A	N/A	154003
22	Housing,Pump-Mach	1		001005	001005	001005	001005
23	• Screw,#6-32x.25RHM SI Tc Stlgr	3		001877	001877	001877	001877
24	• Screw,#10-24 X.375 RHM-SI SS	1		001883	001883	001883	001883
25	• Screw,.25-20 X .75 HHm-SS	4		001916	001916	001916	001916
26	• Screw,.5-13 X 2 HH Cap-SS	2		001909	001909	001909	001909
27	• Washer,SS-1.25"Odx.562"Idx.078	2		002115	002115	002115	002115
28	• Screw, .313-18x1" HH Cap-SS	4		002608	002608	002608	002608
29	• Screw, .25-20x1" HHm-SS	4		007790	007790	007790	007790
□	Rebuild Kit			014193	014193	019648	019648

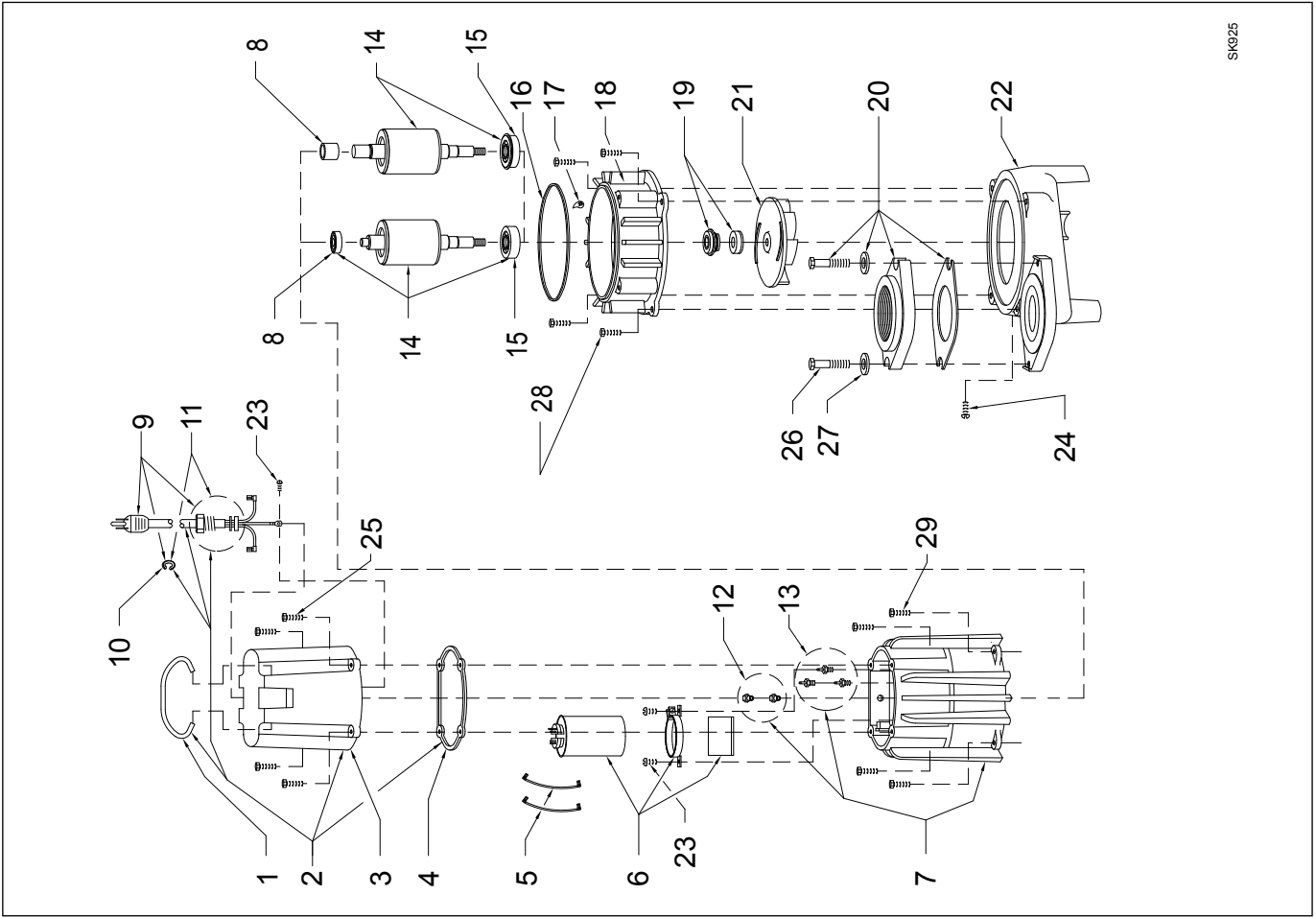
• Items included in Rebuild Kit.

□ Not Shown in Illustration.

NOTES:

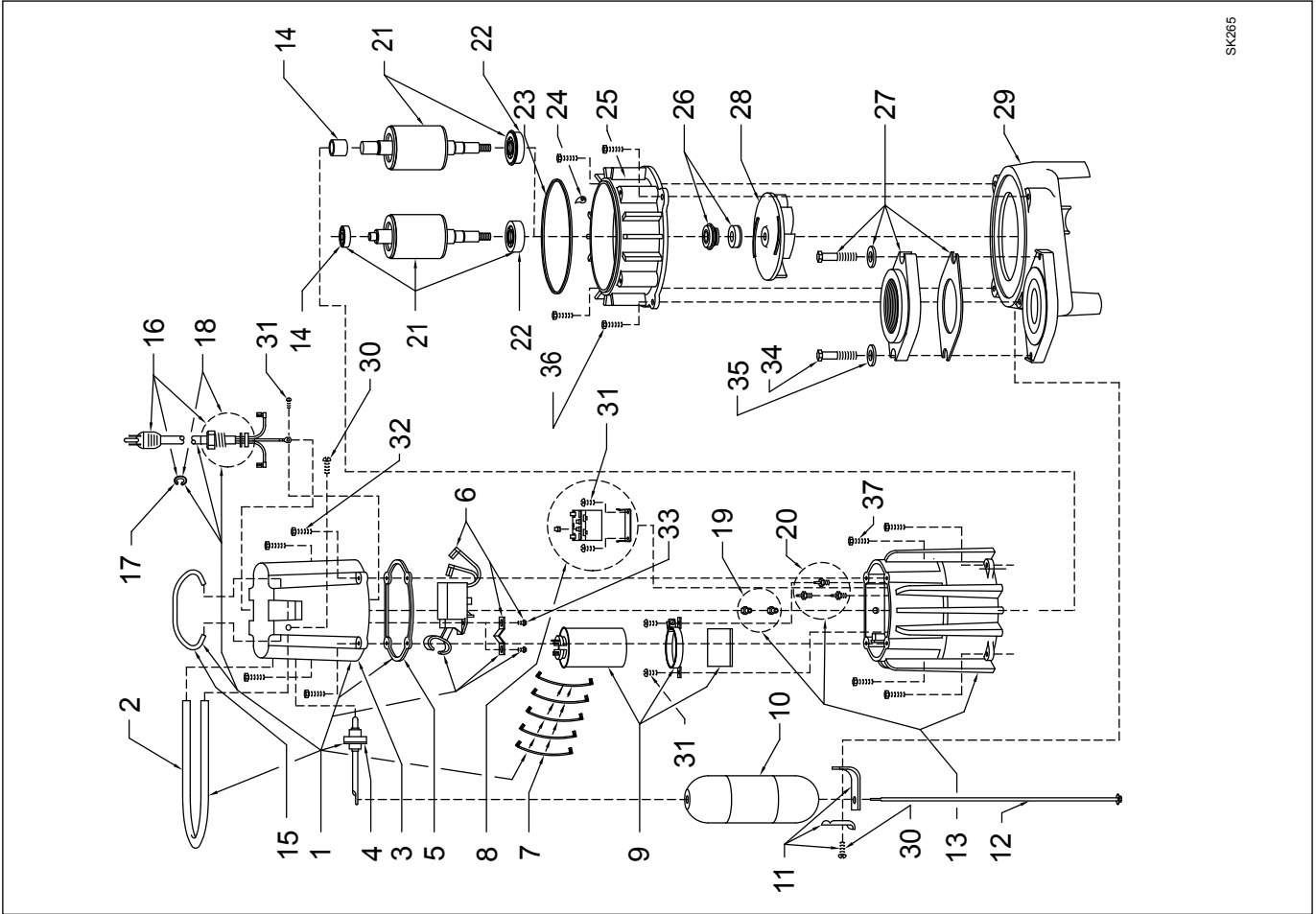
- 1) Mtr. Hsg., Brg., Stator & Term. (Item 7) is preassembled at the factory and must be replaced as a unit. Stator is permanently attached to the Motor Housing. Plug (Item 12), Seal, Thru Wall Term. (Item 13) and Bearing - Upper (Item 11) are replaceable.
- 2) If an "X" follows Model No., or Date Mfg. on brass ID tag, consult factory for ordering of this part.
- 3) See FM0160 Parts Price Sheet for listing of parts prices.
- 4) "NA" indicates, not applicable.

REPLACEMENT PARTS ILLUSTRATION FOR MODEL "BL295".



SK925

REPLACEMENT PARTS ILLUSTRATION FOR MODEL "BK295".



SK265