



PUMP COMPANY

Zoeller Family of Water Solutions™

50/60Hz

Product information presented here reflects conditions at time of publication. Consult factory regarding discrepancies or inconsistencies.

MAIL TO: P.O. BOX 16347 • Louisville, KY 40256-0347
SHIP TO: 3649 Cane Run Road • Louisville, KY 40211-1961
(502) 778-2731 • 1 (800) 928-PUMP • FAX (502) 774-3624

visit our web site:
www.zoeller.com

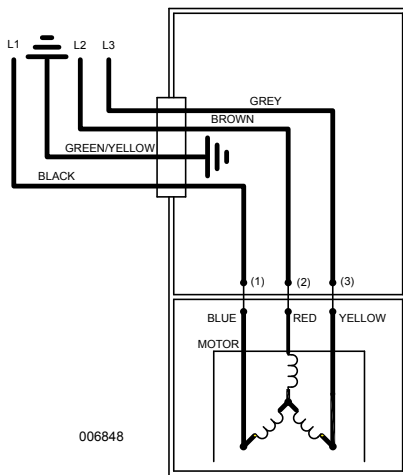
REPLACEMENT PARTS LIST FOR MODELS: AK189 AUTOMATIC 380V/3PH/50HZ K189 NONAUTOMATIC 380V/3PH/60HZ Q189 NONAUTOMATIC 440V/3PH/60HZ

Consult factory for all other models.

TO ORDER REPLACEMENT PARTS:

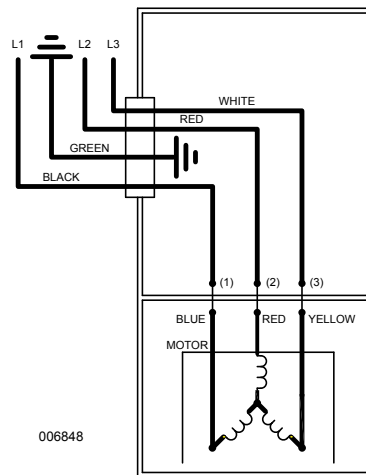
**PLEASE FURNISH THE
FOLLOWING INFORMATION:**

- Model number
- Part number of pump
- Part number and description of part



006848

WIRING DIAGRAM FOR MODELS
"AK189"
All Revisions, 11/99 thru Current



006848

WIRING DIAGRAM FOR MODELS
"K189" and "Q189"
All Revisions, 7/99 thru Current

REPLACEMENT PARTS LIST FOR MODELS "AK189" AND "K189"

See page 4 for illustration.

MODELS: AK189-A AK189-B					
REF. NO.	DESCRIPTION	QTY	NOTES	11/99 to 5/08	6/08 thru Current
1	• Handle	1		217069	217069
2	Cover & Cord (Cord - 20' length SOW no plug)	1	2	002963	002963
	Cover & Cord (Cord, CE-33' length no plug)			152028	152028
3	Cover-Mach SOW cord	1	2,3	001077	001077
	Cover-Mach CE			152044	152044
4	• Gasket, Case/Cover	1		001011	001011
5	Housing, Mtr-&Str	1	1	004578	019237
6	Bearing, Sleeve	1		001012	N/A
	• Bearing, Radial			N/A	006703
7	Clamp, Strain Relief (Cord SOW)	1	2	001770	001770
	Clamp, Strain Relief (Cord H07RN-F4G1.5)			004200	004200
8	Cord Term&Seal (Cord, SOW 20' length)	1	2	005131	005131
	Cord Term&Seal (Cord, CE-33' length)			152019	152019
9	• Seal, Cord-Asm & Str Rif	1	2	094032	094032
10	• Plug, Test-White	2		034090	034090
11	• Seal, Thru Wall Term	3		003402	003402
12	Rotor & Brg	1		004579	019226
13	• Bearing, Radial	1		001013	010069
14	• Seal, Mtr Hsg	1		001014	001014
15	• Oil, Dielectric	1		011066	011066
16	Adapter-Mach	1		001003	001003
17	• Seal, Shaft	1		002430	002430
18	Impeller	1		005201	005201
19	Flange Pkg 2" Npt	1		10-1305	10-1305
	Flange Pkg 3" Npt			10-1306	10-1306
20	Housing, Pump-Mach	1		004188	004188
21	• Screw, #6-32 X .25 RHM SI Tc Stlgr	1		001877	001877
22	• Screw, .25-20 X .75 HHm-SS	4		001916	001916
23	• Screw, .313-18 X 1 HH Cap-SS	4		002608	002608
24	• Screw, .5-13 X 2 HH Cap-SS	2		001909	001909
25	• Washer, SS-1.25Od X .562ld X .078	2		002115	002115
26	• Screw, #10-24 X .375 RHM-SI SS	1		001883	001883
27	Strainer Plate	1		137008	137008
28	• Sem, #10-24 X .375 HH-Si Tc .688 Wash	2		002000	002000
29	• Screw, .25-20 X 1 HHm-SS	4		007790	007790
30	• Nut, Acorn SS	1		004351	004351
▣	Rebuild Kit			152038	152039

MODELS: K189-A & B K189-C					
REF. NO.	DESCRIPTION	QTY	NOTES	8/99 thru 5/08	6/08 thru Current
1	• Handle	1		217069	217069
2	Cover & Cord (Cord, SOW-20' length no plug)	1	2	002963	002963
	Cover & Cord (Cord, H07RN-F4G1.5-20' length no plug)			153215	153215
3	Cover-Mach	1	2,3	001077	001077
4	• Gasket, Case/Cover	1		001011	001011
5	Housing, Mtr-&Str	1	1	016664	019633
6	Bearing, Sleeve	1		001012	N/A
	• Bearing, Radial			N/A	006703
7	Clamp, Strain Relief (Cord, SOW)	1	2	001770	001770
8	Cord Term&Seal (SOW-20' length)	1	2	005131	005131
	Cord Term&Seal (H07RN-F4G1.5 -20' length)			153216	153216
9	• Seal, Cord-Asm & Str Rif	1	2	094032	094032
10	• Plug, Test-White	2		034090	034090
11	• Seal, Thru Wall Term	3		003402	003402
12	Rotor & Brg	1		016228	019227
13	• Bearing, Radial	1		001013	010069
14	• Seal, Mtr Hsg	1		001014	001014
15	• Oil, Dielectric	1		003168	011066
16	Adapter-Mach	1		001003	001003
17	• Seal, Shaft	1		002430	002430
18	Impeller	1		005201	005201
19	Flange Pkg 2" Npt	1		10-1305	10-1305
	Flange Pkg 3" Npt			10-1306	10-1306
20	Housing, Pump-Mach	1		004188	004188
21	• Screw, #6-32 X .25 RHM SI Tc Stlgr	1		001877	001877
22	• Screw, .25-20 X .75 HHm-SS	4		001916	001916
23	• Screw, .313-18 X 1 HH Cap-SS	4		002608	002608
24	• Screw, .5-13 X 2 HH Cap-SS	2		001909	001909
25	• Washer, SS-1.25Od X .562ld X .078	2		002115	002115
26	• Screw, #10-24 X .375 RHM-SI SS	1		001883	001883
27	Strainer Plate	1		137008	137008
28	• Sem, #10-24 X .375 HH-Si Tc .688 Wash	2		002000	002000
29	• Screw, .25-20 X 1 HHm-SS	4		007790	007790
30	• Nut, Acorn SS	1		004351	004351
▣	Rebuild Kit			152038	152039

• Items included in Rebuild Kit.

▣ Not shown in illustration.

• Items included in Rebuild Kit.

▣ Not shown in illustration.

NOTES:

- 1) Mtr. Hsg., Brg., Stator & Term. (Item 10) is preassembled at the factory and must be replaced as a unit. Stator is permanently attached to the Motor Housing. Plug (Item 12); Seal, Thru Wall Term. (Item 13) and Bearing - Upper (Item 11) are replaceable.
- 2) If an "X" follows Model No., or Date Mfg. on brass ID tag, consult factory for ordering of this part.
- 3) See FM0160 Parts Price Sheet for listing of parts prices.
- 4) "NA" indicates, not applicable.

NOTES:

- 1) Mtr. Hsg., Brg., Stator & Term. (Item 5) is preassembled at the factory and must be replaced as a unit. Stator is permanently attached to the Motor Housing. Plug (Item 10); Seal, Thru Wall Term. (Item 11) and Bearing - Upper (Item 6) are replaceable.
- 2) If an "X" follows Model No., or Date Mfg. on brass ID tag, consult factory for ordering of this part.
- 3) See FM0160 Parts Price Sheet for listing of parts prices.
- 4) "NA" indicates, not applicable.

REPLACEMENT PARTS LIST FOR MODELS "Q189"

See page 4 for illustration.

REF. NO.	DESCRIPTION	QTY	NOTES	MODELS: Q189-A		Q189-B
				7/99 thru 5/08	6/08 thru Current	
1	• Handle	1		217069	217069	
2	Cover & Cord (Cord, SOW-20' length no plug)	1	2	002963	002963	
3	Cover-Mach	1	2,3	001077	001077	
4	• Gasket, Case/Cover	1		001011	001011	
5	Housing, Mtr-&Str	1	1	004578	019237	
6	Bearing, Sleeve	1		001012	N/A	
	• Bearing, Radial			N/A	006703	
7	Clamp, Strain Relief (Cord, SOW)	1	2	001770	001770	
8	Cord Term&Seal (SOW-20' length)	1	2	005131	005131	
	Cord Term&Seal (H07RN-F4G1.5 -20' length)			153216	153216	
9	• Seal, Cord-Asm & Str Rif	1	2	094032	094032	
10	• Plug, Test-White	2		034090	034090	
11	• Seal, Thru Wall Term	3		003402	003402	
12	Rotor & Brg	1		005133	019226	
13	• Bearing, Radial	1		001013	010069	
14	• *Seal, Mtr Hsg	1		001014	001014	
15	• *Oil, Dielectric	1		003168	011066	
16	Adapter-Mach	1		001003	001003	
17	• *Seal, Shaft	1		002430	002430	
18	Impeller	1		005201	005201	
19	Flange Pkg 2" Npt	1		10-1305	10-1305	
	Flange Pkg 3" Npt			10-1306	10-1306	
20	Housing, Pump-Mach	1		004188	004188	
21	• *Screw, #6-32 X .25 RHM SI Tc Stlgr	1		001877	001877	
22	• *Screw, .25-20 X .75 HHm-SS	4		001916	001916	
23	• *Screw, .313-18 X 1 HH Cap-SS	4		002608	002608	
24	• *Screw, .5-13 X 2 HH Cap-SS	2		001909	001909	
25	• *Washer, SS-1.25Od X .562ld X .078	2		002115	002115	
26	• *Screw, #10-24 X .375 RHM-SI SS	1		001883	001883	
27	Strainer Plate	1		137008	137008	
28	• *Sem, #10-24 X .375 HH-Si Tc .688 Wash	2		002000	002000	
29	• *Screw, .25-20 X 1 HHm-SS	4		007790	007790	
30	• *Nut, Acorn SS	1		004351	004351	
▣	Rebuild Kit			152038	152039	

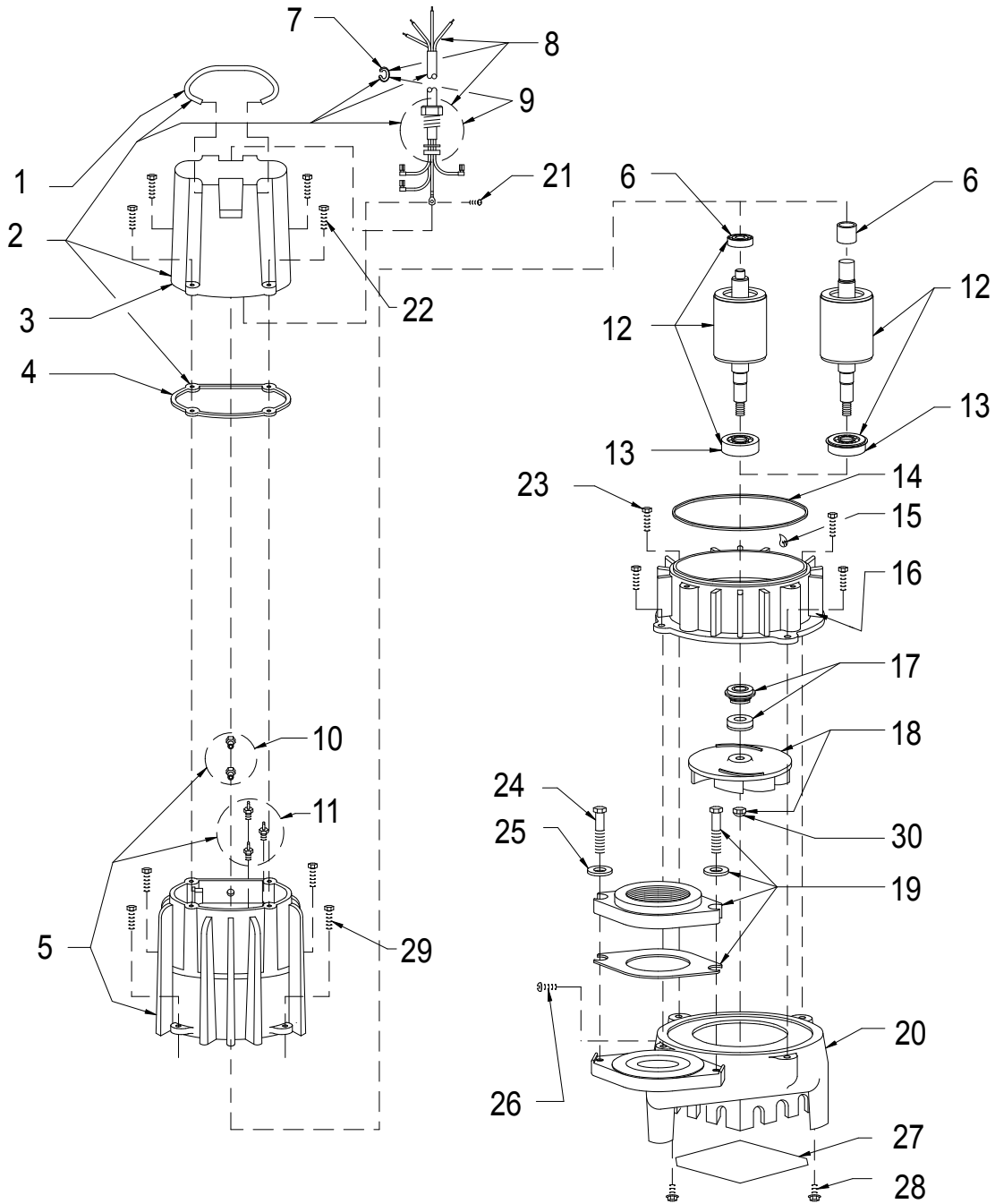
• Items included in Rebuild Kit.

▣ Not shown in illustration.

NOTES:

- 1) Mtr. Hsg., Brg., Stator & Term. (Item 5) is preassembled at the factory and must be replaced as a unit. Stator is permanently attached to the Motor Housing. Plug (Item 10); Seal, Thru Wall Term. (Item 11) and Bearing - Upper (Item 6) are replaceable.
- 2) If an "X" follows Model No., or Date Mfg. on ID tag, consult factory for ordering of this part.
- 3) See FM0160 Parts Price Sheet for listing of parts prices.
- 4) "NA" indicates, not applicable.

REPLACEMENT PARTS ILLUSTRATION FOR MODELS "K189", "AK189" AND "Q189"



SK1286



PUMP COMPANY

MAIL TO: P.O. BOX 16347 • Louisville, KY 40256-0347
 SHIP TO: 3649 Cane Run Road • Louisville, KY 40211-1961
 (502) 778-2731 • 1 (800) 928-PUMP • FAX (502) 774-3624

Your Peace of Mind is Our Top Priority®

visit our web site:
www.zoeller.com