

Product information presented here reflects conditions at time of publication. Consult factory regarding discrepancies or inconsistencies.

Zoeller Family of Water Solutions™

MAIL TO: P.O. BOX 16347 • Louisville, KY 40256-0347 USA
SHIP TO: 3649 Cane Run Road • Louisville, KY 40211-1961 USA
+1 (502) 778-2731 • 1-800-928-7867 • FAX +1 (502) 774-3624

visit our web site:
www.zoeller.com

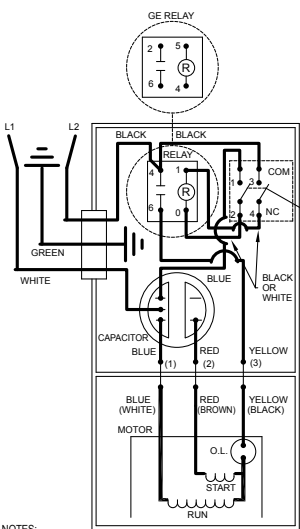
REPLACEMENT PARTS LIST FOR MODELS:

- U189 AUTOMATIC 220V/1PH/50HZ**
- V189 NONAUTOMATIC 220V/1PH/50HZ**
- BL189 NONAUTOMATIC 220V/1PH/60HZ**
- BK189 AUTOMATIC 220V1PH/60HZ**

Consult factory for all others models

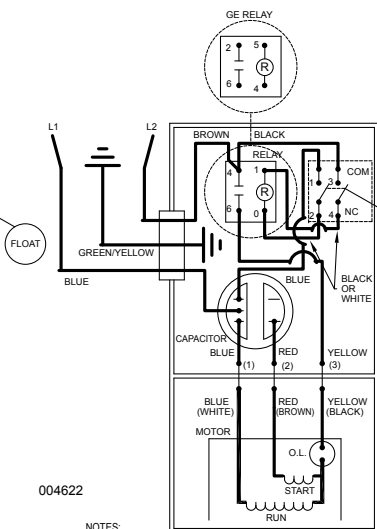
TO ORDER REPLACEMENT PARTS:
PLEASE FURNISH THE FOLLOWING INFORMATION:

- Model Number
- Part Number of Pump
- Part Number and Description of part



NOTES:
INSULATORS REQUIRED ON GE RELAY TERMINALS 2 & 5;
OMRON RELAY TERMINALS 1 & 4.

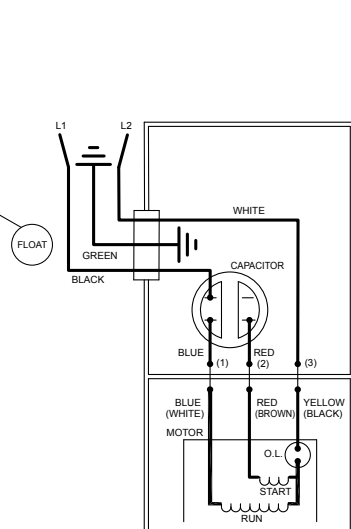
WIRING DIAGRAM FOR MODEL
"BK189"
1/07 thru Current



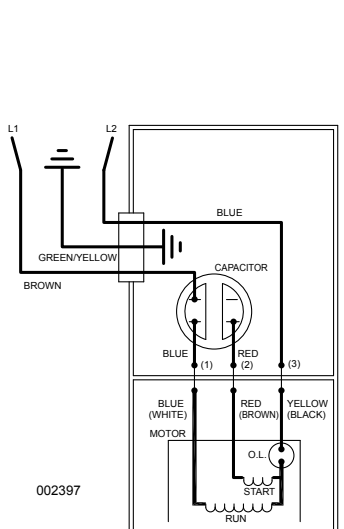
004622

NOTES:
INSULATORS REQUIRED ON GE RELAY TERMINALS 2 & 5;
OMRON RELAY TERMINALS 1 & 4.

WIRING DIAGRAM FOR MODEL
"U189"
10/96 thru Current



WIRING DIAGRAM FOR MODEL
"BL189"
5/00 thru Current



002397

WIRING DIAGRAM FOR MODEL
"V189"
2/98 thru Current

REPLACEMENT PARTS LIST FOR MODELS "U189"

See page 6 for "U189" illustration.

REF. NO.	DESCRIPTION	QTY	NOTES	MODELS: U189-D			
				10/96 thru 4/03	U189-E 5/03 thru 5/08	U189-F 6/08 thru 1/16	U189-G 2/16 thru Current
1	Case Sw & Cord (Cord, SOW-20' [6.1 m] length no plug)	1	2,3	014156	014156	014156	014156
	Case Sw & Cord (Cord-15' length CEE 7/7, E/F Plug)			N/A	152025	152025	152025
2	• Handle	1		217069	217069	217069	217069
3	Cord Term&Seal (SOW-20' [6.1 m] length)	1	3	014172	014172	014172	014172
	Cord Term&Seal (15' [4.6 m] length CEE 7/7, E/F Plug)			N/A	152017	152017	152017
4	Clamp, Strain Relief (Cord, SOW)	1	3	013764	013764	013764	013764
	Clamp, Strain Relief	1		N/A	152191	152191	152191
5	• Seal, Cord-Asm & Str Rif (Cord, SOW)	1	3	015634	015634	015634	015634
	• Seal, Cord-Asm & Str Rif	1		N/A	151312	151312	151312
6	Case-Mach	1	2,3	004633	004633	014154	014154
	Case-Mach (Cord H07RN-F3G1.5)			N/A	152043	152043	152043
7	• Guard	1		001023	001023	001023	001023
8	• Arm & Seal Asm	1	2	004745	004745	004745	004745
9	• Gasket, Case/Cover	1		001011	001011	001011	001011
10	Switch Asm	1	2	004744	004744	004744	004744
11	• Wire Pkg (5) Wires	1		004751	004751	004751	004751
12	Capacitor & Clamp Asm	1		006135	006135	006135	006135
13	Relay	1		217093	217093	217093	153833
14	Float, Plastic	1		094039	094039	094039	094039
15	Guide Asm, Fit Rod	1		001072	001072	001072	001072
16	Rod Asm, Fit	1		003083	003083	150439	150439
17	Housing, Mtr-& Str	1	1	004993	004993	019223	019223
18	Bearing, Sleeve	1		001012	001012	N/A	N/A
	• Bearing, Radial			N/A	N/A	006703	006703
19	• Plug, Test-White	2		034090	034090	034090	034090
20	• Seal, Thru Wall Term	3		003402	003402	003402	003402
21	Rotor & Brg	1		004994	004994	019225	019225
22	• Bearing, Radial	1		001013	001013	010069	010069
23	• Seal, Mtr Hsg	1		001014	001014	001014	001014
24	• Oil, Dielectric	1		003168	003168	011066	011066
25	Adapter-Mach	1		001003	001003	001003	001003
26	• Seal, Shaft	1		002430	002430	002430	002430
27	Flange Pkg 2" Npt	1		10-1305	10-1305	10-1305	10-1305
27	Flange Pkg 3" Npt	1		10-1306	10-1306	10-1306	10-1306
28	Impeller	1		004207	004207	004207	004207
29	Housing, Pump-Mach	1		004188	004188	004188	004188
30	Strainer Plate	1		137008	137008	137008	137008
31	• Screw, .25-20 X .75 HHm-SS	4		001916	001916	001916	001916
32	• Screw, .313-18 X 1 HH Cap-SS	4		002608	002608	002608	002608
33	• Screw, #10-24 X .375 RHM-SI SS	2		001883	001883	001883	001883
34	• Screw, #6-32 X .438 Rhs/tp Stlzi	2		004644	004644	004644	004644
35	• Sem, #10-24 X .375 HH-Si Tc .688 Wash	2		002000	002000	002000	002000
36	• Washer, SS-1.25Od X .562ld X .078	2		002115	002115	002115	002115
37	• Screw, .5-13 X 2 HH Cap-SS	2		001909	001909	001909	001909
38	• Screw, #6-32 X .25 RHM SI Tc Stlgr	5		001877	001877	001877	001877
39	• Screw, .25-20 X 1 HHm-SS	4		007790	007790	007790	007790
□	Rebuild Kit			016103	016103	019647	019647

• Items included in Rebuild Kit.

□ Not shown in illustration.

NOTES:

- 1) Mtr. Hsg., Brg., Stator & Term. (Item 17) is preassembled at the factory and must be replaced as a unit. Stator is permanently attached to the Motor Housing. Plug (Item 19); Seal, Thru Wall Term. (Item 20) and Bearing - Upper (Item 18) are replaceable.
- 2) When ordering these parts, customer must identify if switch is a General Electric switch.
- 3) If an "X" follows Model No., or Date Mfg. on brass ID tag, consult factory for ordering of this part.
- 4) See FM0160 Parts Price Sheet for listing of parts prices.
- 5) "NA" indicates, not applicable.

REPLACEMENT PARTS LIST FOR MODELS "BK189"

See page 6 for "BK189" illustration.

REF. NO.	DESCRIPTION	QTY	NOTES	MODELS: BK189-E		
				1/07 thru 5/08	BK189-F 6/08 thru 1/16	BK189-G 2/16 thru Current
1	Case Sw & Cord (Cord, SOW-20' [6.1 m] length no plug)	1	2,3	014156	014156	014156
	Case Sw & Cord (Cord-20' [6.1 m] length H07RN-F3G2.5 no plug)			N/A	153114	153114
2	• Handle	1		217069	217069	217069
3	Cord Term&Seal (SOW-20' [6.1 m] length)	1	3	014172	014172	014172
	Cord Term&Seal (33' [10.1 m] length BS 1363/A; UK Plug)			N/A	153115	153115
4	Clamp, Strain Relief (Cord, SOW)	1	3	013764	013764	013764
	Clamp, Strain Relief	1		N/A	001770	001770
5	• Seal, Cord-Asm & Str Rlf (Cord, SOW)	1	3	015634	015634	015634
	• Seal, Cord-Asm & Str Rlf (Cord, H07RN-F3G2.5)			N/A	012953	012953
6	Case-Mach	1	2,3	014154	014154	014154
	Case-Mach (Cord, H07RN-F3G2.5)	1		152845	152845	152845
7	• Guard	1		001023	001023	001023
8	• Arm & Seal Asm	1	2	004745	004745	004745
9	• Gasket, Case/Cover	1		001011	001011	001011
10	Switch Asm	1	2	004744	004744	004744
11	• Wire Pkg (5) Wires	1		004751	004751	004751
12	Capacitor & Clamp Asm	1		006135	006135	006135
13	Relay	1		217093	217093	153833
14	Float, Plastic	1		094039	094039	094039
15	Guide Asm, Fit Rod	1		001072	001072	001072
16	Rod Asm, Fit	1		003083	150439	150439
17	Housing, Mtr-& Str	1	1,6	004993	019223	019223
18	Bearing, Sleeve	1		001012	N/A	N/A
	• Bearing, Radial			N/A	006703	006703
19	• Plug, Test-White	2		034090	034090	034090
20	• Seal, Thru Wall Term	3		003402	003402	003402
21	Rotor & Brg	1		004994	019225	019225
22	• Bearing, Radial	1		001013	010069	010069
23	• Seal, Mtr Hsg	1		001014	001014	001014
24	• Oil, Dielectric	1		003168	011066	011066
25	Adapter-Mach	1		001003	001003	001003
26	• Seal, Shaft	1		002430	002430	002430
27	Flange Pkg 2" Npt	1		10-1305	10-1305	10-1305
27	Flange Pkg 3" Npt	1		10-1306	10-1306	10-1306
28	Impeller	1		004207	004207	004207
29	Housing, Pump-Mach	1		004188	004188	004188
30	Strainer Plate	1		137008	137008	137008
31	• Screw, .25-20 X .75 HHm-SS	4		001916	001916	001916
32	• Screw, .313-18 X 1 HH Cap-SS	4		002608	002608	002608
33	• Screw, #10-24 X .375 RHM-SI SS	2		001883	001883	001883
34	• Screw, #6-32 X .438 Rhsltp Stlzi	2		004644	004644	004644
35	• Sem, #10-24 X .375 HH-Si Tc .688 Wash	2		002000	002000	002000
36	• Washer, SS-1.25Od X .562ld X .078	2		002115	002115	002115
37	• Screw, .5-13 X 2 HH Cap-SS	2		001909	001909	001909
38	• Screw, #6-32 X .25 RHM SI Tc Stlgr	5		001877	001877	001877
39	• Screw, .25-20 X 1 HHm-SS	4		007790	007790	007790
□	Rebuild Kit			016103	019647	019647

• Items included in Rebuild Kit.

□ Not shown in illustration.

NOTES:

- 1) Mtr. Hsg., Brg., Stator & Term. (Item 17) is preassembled at the factory and must be replaced as a unit. Stator is permanently attached to the Motor Housing. Plug (Item 19); Seal, Thru Wall Term. (Item 20) and Bearing - Upper (Item 18) are replaceable.
- 2) If an "X" follows Model No., or Date Mfg. on brass ID tag, consult factory for ordering of this part.
- 3) See FM0160 Parts Price Sheet for listing of parts prices.
- 4) "NA" indicates, not applicable.

REPLACEMENT PARTS LIST FOR MODELS "V189"

See page 7 for "V189" illustration.

REF. NO.	DESCRIPTION	QTY	NOTES	MODELS: V189-A		
				2/98 thru 4/03	V189-B 5/03 thru 5/08	V189-C 6/08 thru Current
1	• Handle	1		217069	217069	217069
2	Cover & Cord (Cord - 20' [6.1 m] length SOW no plug)	1	2	014159	014159	014159
	Cover & Cord (Cord-33' [10.1 m] length BS 1363/A; UK Plug)			N/A	151265	151265
	Cover & Cord (Cord-33' [10.1 m] length CEE 7/7; E/F Plug)			N/A	152027	152027
3	Cord Term&Seal (20' [6.1 m] length SOW)	1	2	005200	014173	014173
	Cord Term&Seal (33' [10.1 m] length BS 1363/A; UK Plug)			N/A	151263	151263
	Cord Term&Seal (33' [10.1 m] length CEE 7/7; E/F Plug)			N/A	152018	152018
4	Clamp, Strain Relief (Cord, SOW)	1	2	013764	013764	013764
	Clamp, Strain Relief	1		N/A	152191	152191
5	• Seal, Cord-Asm & Str Rlf (Cord, SOW)	1	2	015634	015634	015634
	• Seal, Cord-Asm & Str Rlf	1		N/A	151312	151312
6	Cover-Mach (Cord, SOW)	1	2,3	004372	014150	014150
	Cover-Mach (Cord,HJ07RN-F3G1.5)			N/A	152044	152044
7	• Gasket, Case/Cover	1		001011	001011	001011
8	• Wire Pkg (2) Wires	1		011092	011092	011092
9	Capacitor & Clamp Asm	1		006135	006135	006135
10	Housing, Mtr-&Str	1	1	004993	004993	019233
11	Bearing, Sleeve	1		001012	001012	N/A
	• Bearing, Radial			N/A	N/A	006703
12	• Plug, Test-White	2		034090	034090	034090
13	• Seal, Thru Wall Term	3		003402	003402	003402
14	Rotor & Brg	1		004994	004994	019225
15	• Bearing, Radial	1		001013	001013	010069
16	• Seal, Mtr Hsg	1		001014	001014	001014
17	• Oil, Dielectric	1		003168	003168	011066
18	Adapter-Mach	1		001003	001003	001003
19	• Seal, Shaft	1		002430	002430	002430
20	Flange Pkg 2" Npt	1		10-1305	10-1305	10-1305
	Flange Pkg 3" Npt			10-1306	10-1306	10-1306
21	Impeller	1		004207	004207	004207
22	Housing, Pump-Mach	1		004188	004188	004188
23	Strainer Plate	1		137008	137008	137008
24	• Screw, .25-20 X .75 HHm-SS	4		001916	001916	001916
25	• Screw, .313-18 X 1 HH Cap-SS	4		002608	002608	002608
26	• Screw, #10-24 X .375 RHM-SI SS	2		001883	001883	001883
27	• Sem, #10-24 X .375 HH-Si Tc .688 Wash	2		002000	002000	002000
28	• Screw, .5-13 X 2 HH Cap-SS	2		001909	001909	001909
29	• Washer, SS-1.25Od X .562ld X .078	2		002115	002115	002115
30	• Screw, #6-32 X .25 RHM SI Tc Stlgr	4		001877	001877	001877
31	• Screw, .25-20 X 1 HHm-SS	4		007790	007790	007790
▣	Rebuild Kit			014193	014193	019648

• Items included in Rebuild Kit.

▣ Not shown in illustration.

NOTES:

- 1) Mtr. Hsg., Brg., Stator & Term. (Item 10) is preassembled at the factory and must be replaced as a unit. Stator is permanently attached to the Motor Housing. Plug (Item 12); Seal, Thru Wall Term. (Item 13) and Bearing - Upper (Item 11) are replaceable.
- 2) If an "X" follows Model No., or Date Mfg. on brass ID tag, consult factory for ordering of this part.
- 3) See FM0160 Parts Price Sheet for listing of parts prices.
- 4) "NA" indicates, not applicable.

REPLACEMENT PARTS LIST FOR MODELS "BL189"

See page 7 for "BL189" illustration.

REF. NO.	DESCRIPTION	QTY	NOTES	MODELS: BL189-E		BL189-F
				5/00 thru 5/08	6/08 thru Current	
1	• Handle	1		217069	217069	
2	Cover & Cord (Cord - 20' [6.1 m] length SOW no plug)	1	2	014159	014159	
	Cover & Cord (Cord - 20' [6.1 m] length H07RN-F3G2.5 no plug)			N/A	153099	
3	Cord Term&Seal (20' [6.1 m] length SOW)	1	2	014173	014173	
	Cord Term&Seal (20' [6.1 m] length H07RN-F3G2.5)			N/A	153100	
4	Clamp, Strain Relief (Cord, SOW)	1	2	013764	013764	
	Clamp, Strain Relief (Cord, H07RN-F3G2.5)			N/A	001770	
5	• Seal, Cord-Asm & Str Rlf (Cord, SOW)	1	2	015634	015634	
	• Seal, Cord-Asm & Str Rlf (Cord, H07RN-F3G2.5)			N/A	012953	
6	Cover-Mach (Cord, SOW)	1	2,3	014150	014150	
	Cover-Mach (Cord,H07RN-F3G2.5)			N/A	152844	
7	• Gasket, Case/Cover	1		001011	001011	
8	• Wire Pkg (2) Wires	1		011092	011092	
9	Capacitor & Clamp Asm	1		006135	006135	
10	Housing, Mtr-&Str	1	1	004993	019233	
11	Bearing, Sleeve	1		001012	N/A	
	• Bearing, Radial			N/A	006703	
12	• Plug, Test-White	2		034090	034090	
13	• Seal, Thru Wall Term	3		003402	003402	
14	Rotor & Brg	1		004994	019225	
15	• Bearing, Radial	1		001013	010069	
16	• Seal, Mtr Hsg	1		001014	001014	
17	• Oil, Dielectric	1		002383	011066	
18	Adapter-Mach	1		001003	001003	
19	• Seal, Shaft	1		002430	002430	
20	Flange Pkg 2" Npt	1		10-1305	10-1305	
	Flange Pkg 3" Npt			10-1306	10-1306	
21	Impeller	1		004207	004207	
22	Housing, Pump-Mach	1		004188	004188	
23	Strainer Plate	1		137008	137008	
24	• Screw, .25-20 X .75 HHm-SS	4		001916	001916	
25	• Screw, .313-18 X 1 HH Cap-SS	4		002608	002608	
26	• Screw, #10-24 X .375 RHM-SI SS	2		001883	001883	
27	• Sem, #10-24 X .375 HH-SI Tc .688 Wash	2		002000	002000	
28	• Screw, .5-13 X 2 HH Cap-SS	2		001909	001909	
29	• Washer, SS-1.25Od X .562ld X .078	2		002115	002115	
30	• Screw, #6-32 X .25 RHM SI Tc Stlgr	4		001877	001877	
31	• Screw, .25-20 X 1 HHm-SS	4		007790	007790	
▫	Rebuild Kit			014193	019648	

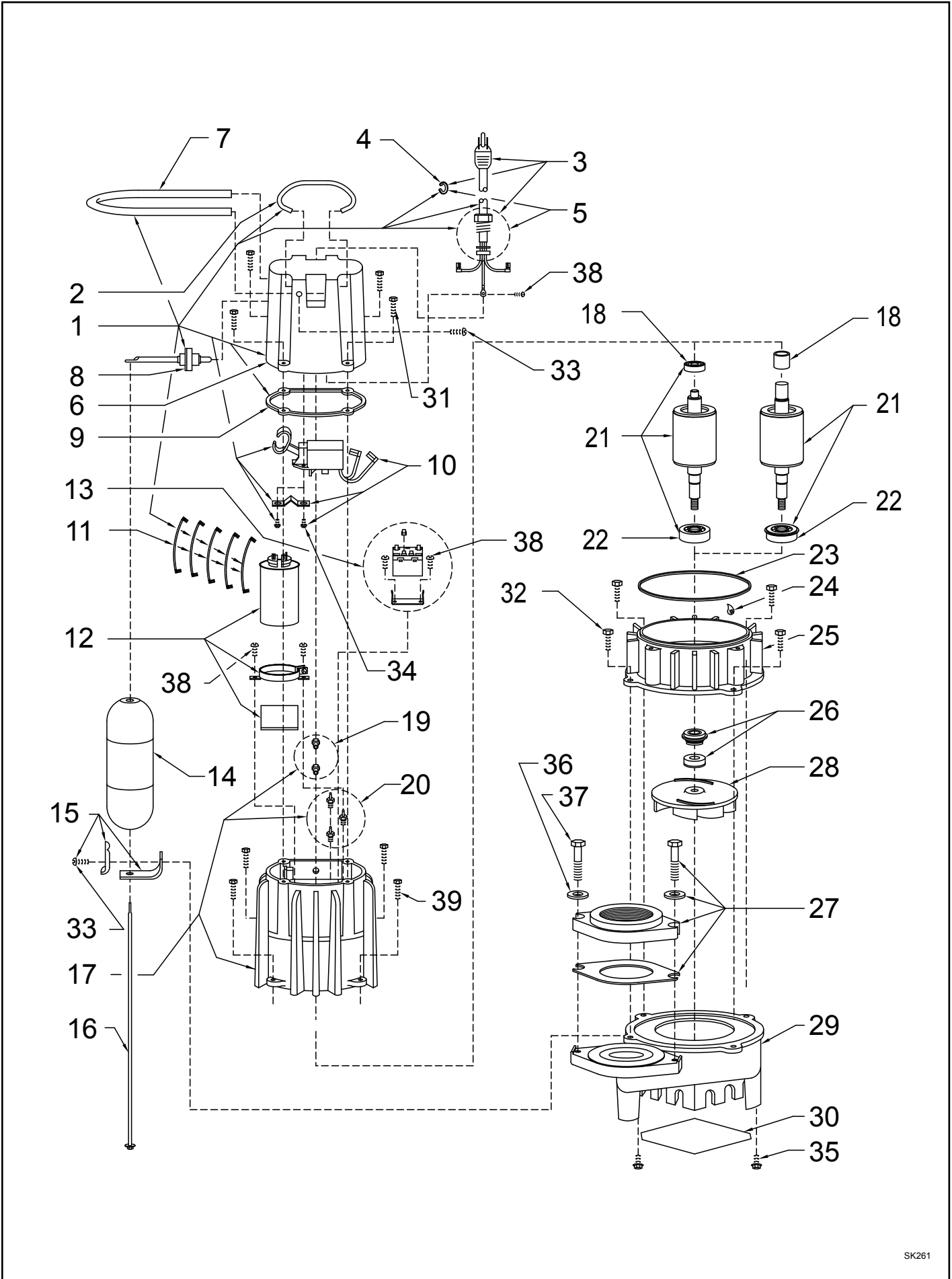
▫ Items included in Rebuild Kit.

▫ Not shown in illustration.

NOTES:

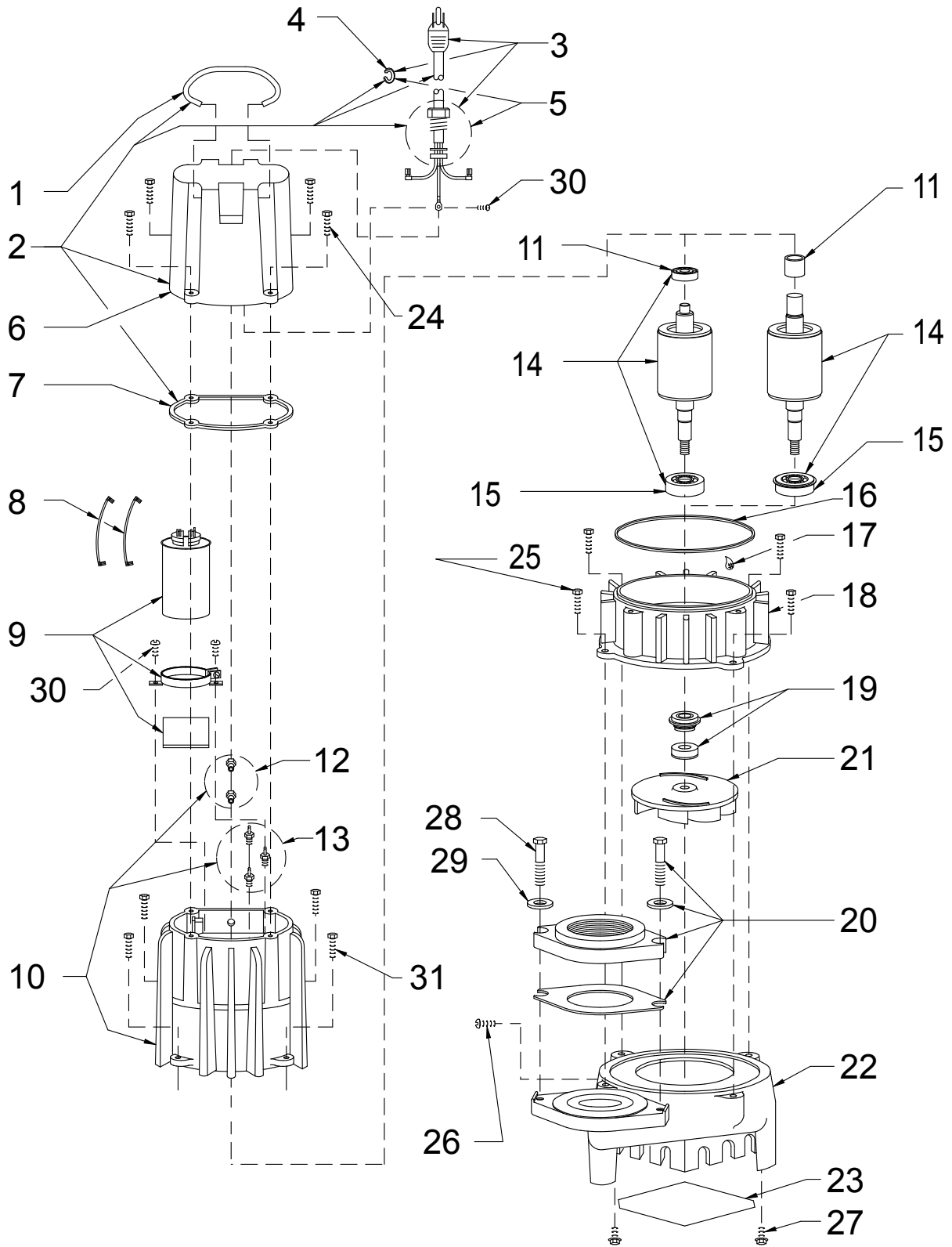
- 1) Mtr. Hsg., Brg., Stator & Term. (Item 12) is preassembled at the factory and must be replaced as a unit. Stator is permanently attached to the Motor Housing. Plug (Item 14); Seal, Thru Wall Term. (Item 15) and Bearing - Upper (Item 13) are replaceable.
- 2) If an "X" follows Model No., or Date Mfg. on brass ID tag, consult factory for ordering of this part.
- 3) See FM0160 Parts Price Sheet for listing of parts prices.
- 4) "NA" indicates, not applicable.

REPLACEMENT PARTS ILLUSTRATION FOR MODELS "U189" AND "BK189"



SK261

REPLACEMENT PARTS ILLUSTRATION FOR MODELS "V189" AND "BL189"



SK914



PUMP COMPANY

MAIL TO: P.O. BOX 16347 • Louisville, KY 40256-0347 USA
SHIP TO: 3649 Cane Run Road • Louisville, KY 40211-1961 USA
+1 (502) 778-2731 • 1-800-928-7867 • FAX +1 (502) 774-3624

Your Peace of Mind is Our Top Priority®

visit our web site:
www.zoeller.com