



Builder Series Sewage Pump Model 212

**Zoeller's newest addition in
the Builder Series of pumps**

Features:

- 1-year warranty
- Reliable integrated vertical switch
- 1/2 HP 115V sewage pump
- Performance up to 19.5' TDH
- Flows up to 82 gallons per minute
- Rugged cast iron motor housing
- Engineered plastic base
- Corrosion-resistant, powder coated epoxy paint

100% factory tested

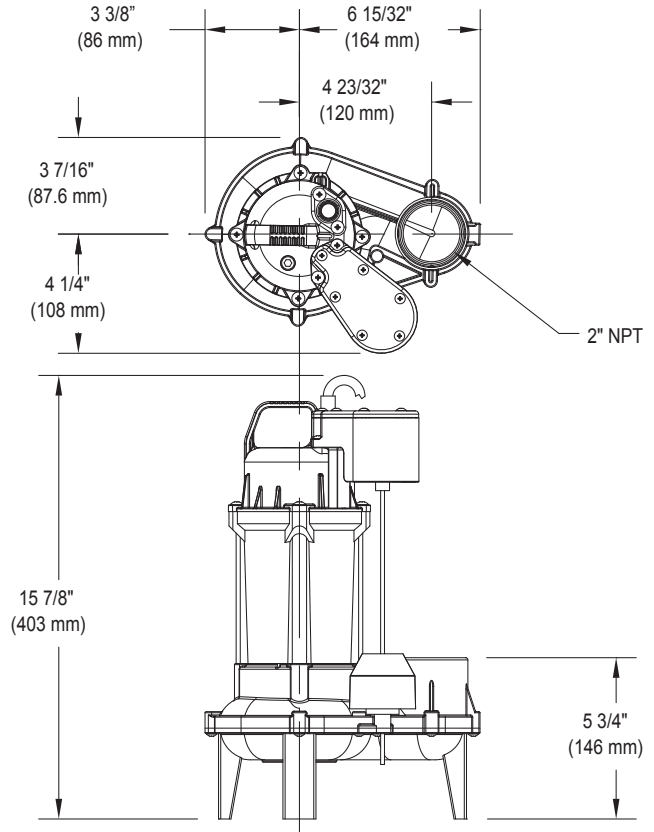


zoellerpumps.com

FM2962

PRODUCT SPECIFICATIONS

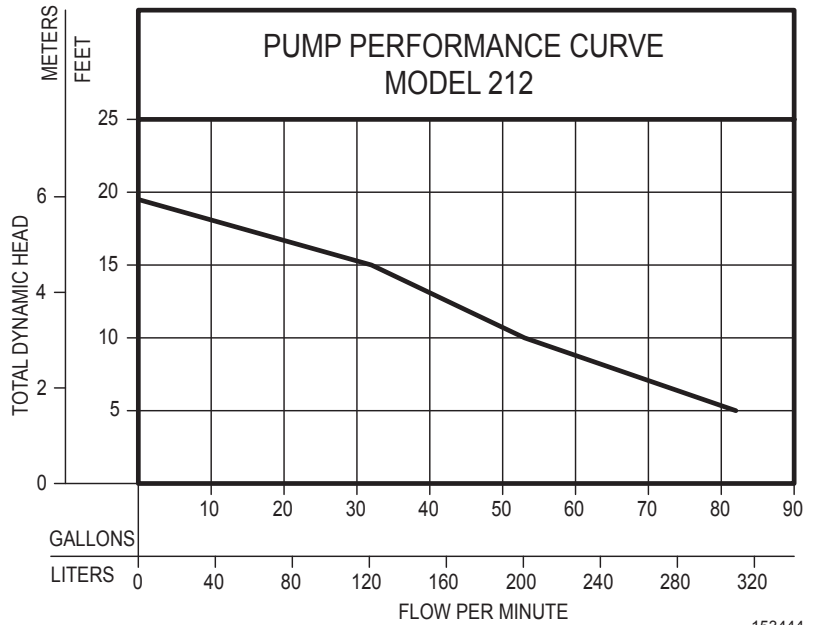
MOTOR	Horse Power	1/2
	Voltage	115
	Phase	1 Ph
	Hertz	60 Hz
	RPM	3400
	Type	Permanent split capacitor
	Insulation	Class B
	Amps	6.6
PUMP	Operation	Automatic
	Auto On/Off Points	11 1/2" (29 cm) / 5 1/4" (13 cm)
	Discharge Size	2" NPT
	Solids Handling	2" (50 mm) spherical solids
	Cord Length	10' (3 m) standard
	Cord Type	UL listed 3-prong plug
	Max. Head	19.5' (5.9 m)
	Max. Flow Rate	82 GPM (310 LPM)
	Max. Operating Temp.	104° F (40° C)
	Cooling	Oil filled
	Motor Protection	Auto reset thermal overload (1 Ph)
	MATERIALS	Motor Housing
Pump Housing		Engineered plastic
Base		Engineered plastic
Upper Bearing		Ball bearing
Lower Bearing		Ball bearing
Mechanical Seals		Carbon and ceramic
Impeller Type		Non-clogging vortex
Impeller		Engineered plastic
Hardware		Stainless steel
Motor Shaft		SUS420J2 stainless steel
Gasket		NBR



SK3054

NOTE: The sizing of effluent systems normally requires variable level float(s) controls and properly sized basins to achieve required pumping cycles or dosing timers with nonautomatic pumps.

NOTE: See model comparison chart for specific details.



153444



CAUTION All installation of controls, protection devices and wiring should be done by a qualified licensed electrician. All electrical and safety codes should be followed including the most recent National Electrical Code (NEC) and the Occupational Safety and Health Act (OSHA).