

Product information presented here reflects conditions at time of publication. Consult factory regarding discrepancies or inconsistencies.



**PUMP COMPANY**

*Zoeller Family of Water Solutions™*

**MAIL TO:** P.O. BOX 16347 • Louisville, KY 40256-0347 USA  
**SHIP TO:** 3649 Cane Run Road • Louisville, KY 40211-1961 USA  
+1 (502) 778-2731 • 1-800-928-7867 • FAX +1 (502) 774-3624

**60Hz**

**visit our web site:**  
[www.zoeller.com](http://www.zoeller.com)

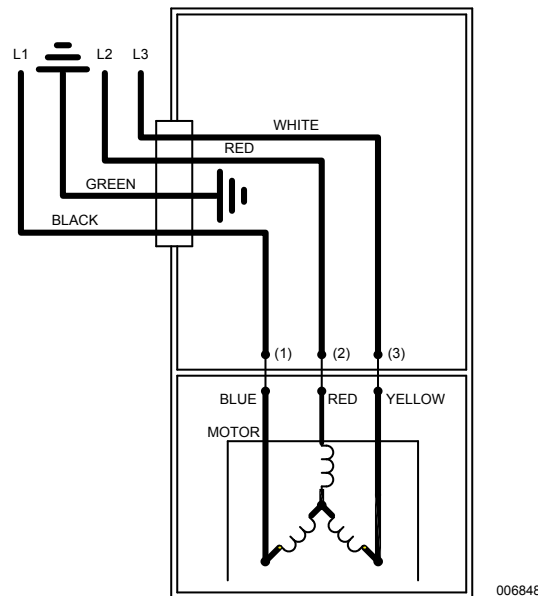
## REPLACEMENT PARTS LIST FOR MODELS:

**K295 NONAUTOMATIC 380V/3PH/60HZ**  
**Q295 NONAUTOMATIC 575V/3PH/60HZ**

Consult factory for all others models

**TO ORDER REPLACEMENT PARTS  
PLEASE FURNISH THE  
FOLLOWING INFORMATION:**

- Model Number.
- Part Number of Pump.
- Part Number and Description of part.



WIRING DIAGRAM FOR MODELS  
"K295" and "Q295"  
All Revisions 7/99 thru Current

# REPLACEMENT PARTS LIST FOR MODEL "K295".

See page 4 for illustration.

REF. NO.	DESCRIPTION	QTY	NOTES	MODELS:			
				K295-A	K295-B	K295-C	K295-D
				1/97 thru 7/99	8/99 thru 5/08	6/08 thru 5/16	6/16 thru Current
1	• Handle	1		217069	217069	217069	217069
2	Cover & Cord (Cord, SOW-20' length no plug)	1	2	002963	002963	002963	002963
	Cover & Cord (Cord, H07RN-F4G1.5-20' length no plug)			153215	153215	153215	153215
3	Cover-Mach	1	2	001077	001077	001077	001077
4	• Gasket, Case/Cover	1		001011	001011	001011	001011
5	Housing, Mtr-&Str	1	1	004578	016664	019633	019633
6	Bearing, Sleeve	1		001012	001012	N/A	N/A
	• Bearing, Radial			N/A	N/A	006703	006703
7	Clamp, Strain Relief (Cord, SOW)	1	2	001770	001770	001770	001770
8	Cord Term&Seal	1	2	005131	005131	005131	005131
	Cord Term&Seal (H07RN-F4G1.5 -20' length)			153216	153216	153216	153216
9	• Seal, Cord-Asm & Str Rif	1	2	094032	094032	094032	094032
10	• Plug, Test-White	2		034090	034090	034090	034090
11	• Seal, Thru Wall Term	3		003402	003402	003402	003402
12	Rotor & Brg	1		005133	016228	019227	019227
13	• Bearing, Radial	1		001013	001013	010069	010069
14	• Seal, Mtr Hsg	1		001014	001014	001014	001014
15	• Oil, Dielectric	1		003168	003168	011066	011066
16	Adapter-Mach	1		001003	001003	001003	001003
17	• Seal, Shaft	1		002430	002430	002430	002430
18	Impeller, Bronze	1		005134	005134	005134	154007
	Impeller, Cast iron	1		N/A	N/A	N/A	154004
19	Flange Pkg 2" Npt	1		10-1305	10-1305	10-1305	10-1305
	Flange Pkg 3" Npt			10-1306	10-1306	10-1306	10-1306
20	Housing, Pump-Mach	1		001005	001005	001005	001005
21	• Screw, #6-32 X .25 RHM SI Tc Stlgr	1		001877	001877	001877	001877
22	• Screw, .25-20 X .75 HHm-SS	4		001916	001916	001916	001916
23	• Screw, .313-18 X 1 HH Cap-SS	4		002608	002608	002608	002608
24	• Screw, .5-13 X 2 HH Cap-SS	2		001909	001909	001909	001909
25	• Washer, SS-1.25Od X .562ld X .078	2		002115	002115	002115	002115
26	• Screw, #10-24 X .375 RHM-SI SS	1		001883	001883	001883	001883
27	• Screw, .25-20 X 1 HHm-SS	4		007790	007790	007790	007790
28	• Nut, Acorn SS	1		004351	004351	004351	004351
29	• Spring, bearing preload			N/A	N/A	N/A	N/A
▣	Rebuild Kit			152038	152038	152039	152039

- Items included in Rebuild Kit.
- ▣ Not Shown in Illustration.

## NOTES:

- 1) Mtr. Hsg., Brg., Stator & Term. (Item 5) is preassembled at the factory and must be replaced as a unit. Stator is permanently attached to the Motor Housing. Plug (Item 10), Seal, Thru Wall Term. (Item 11) and Bearing - Upper (Item 6) are replaceable.
- 2) If an "X" follows Model No., or Date Mfg. on brass ID tag, consult factory for ordering of this part.
- 3) See FM0160 Parts Price Sheet for listing of parts prices.
- 4) "NA" indicates, not applicable.

# REPLACEMENT PARTS LIST FOR MODEL "Q295".

See page 4 for illustration.

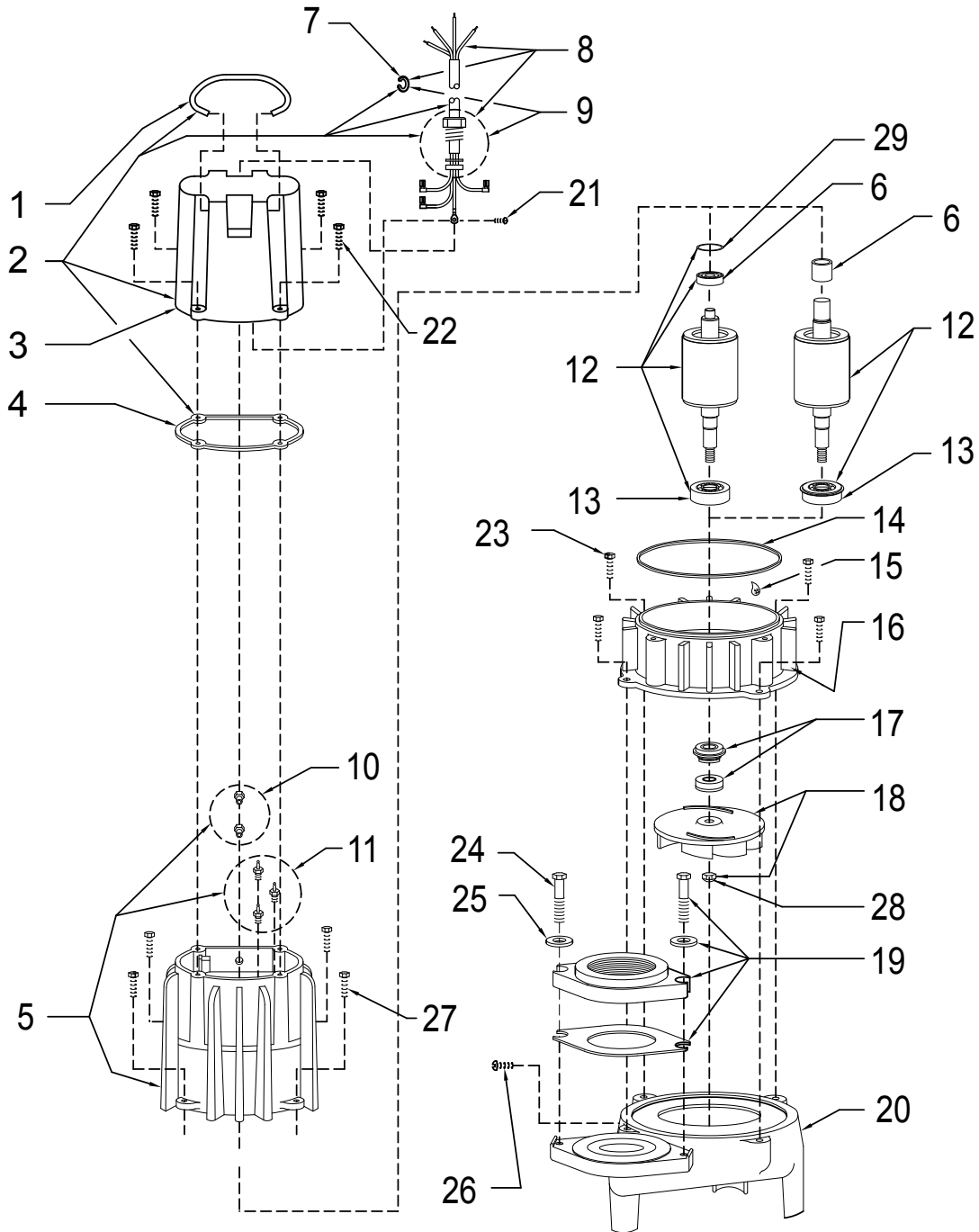
REF. NO.	DESCRIPTION	QTY	NOTES	MODELS:		
				Q295-A	Q295-B	Q295-C
				7/99 thru 5/08	6/8 thru 5/16	6/16 thru Current
1	• Handle	1		217069	217069	217069
2	Cover & Cord (Cord, SOW-20' length no plug)	1	2	002963	002963	002963
3	Cover-Mach	1	2	001077	001077	001077
4	• Gasket, Case/Cover	1		001011	001011	001011
5	Housing, Mtr-&Str	1	1	004578	019237	019237
6	Bearing, Sleeve	1		001012	N/A	N/A
	• Bearing, Radial			N/A	006703	006703
7	Clamp, Strain Relief (Cord, SOW)	1	2	001770	001770	001770
8	Cord Term&Seal	1	2	005131	005131	005131
9	• Seal, Cord-Asm & Str Rif	1	2	094032	094032	094032
10	• Plug, Test-White	2		034090	034090	034090
11	• Seal, Thru Wall Term	3		003402	003402	003402
12	Rotor & Brg	1		005133	019226	019226
13	• Bearing, Radial	1		001013	010069	010069
14	• Seal, Mtr Hsg	1		001014	001014	001014
15	• Oil, Dielectric	1		003168	011066	011066
16	Adapter-Mach	1		001003	001003	001003
17	• Seal, Shaft	1		002430	002430	002430
18	Impeller, Bronze	1		005134	005134	154007
	Impeller, Cast iron	1		N/A	N/A	154004
19	Flange Pkg 2" Npt	1		10-1305	10-1305	10-1305
	Flange Pkg 3" Npt			10-1306	10-1306	10-1306
20	Housing, Pump-Mach	1		001005	001005	001005
21	• Screw, #6-32 X .25 RHM SI Tc Stlgr	1		001877	001877	001877
22	• Screw, .25-20 X .75 HHm-SS	4		001916	001916	001916
23	• Screw, .313-18 X 1 HH Cap-SS	4		002608	002608	002608
24	• Screw, .5-13 X 2 HH Cap-SS	2		001909	001909	001909
25	• Washer, SS-1.25Od X .562ld X .078	2		002115	002115	002115
26	• Screw, #10-24 X .375 RHM-SI SS	1		001883	001883	001883
27	• Screw, .25-20 X 1 HHm-SS	4		007790	007790	007790
28	• Nut, Acorn SS	1		004351	004351	004351
29	• Spring, bearing preload			N/A	N/A	N/A
▣	Rebuild Kit			152038	152039	152039

- Items included in Rebuild Kit.
- ▣ Not Shown in Illustration.

## NOTES:

- 1) Mtr. Hsg., Brg., Stator & Term. (Item 5) is preassembled at the factory and must be replaced as a unit. Stator is permanently attached to the Motor Housing. Plug (Item 10), Seal, Thru Wall Term. (Item 11) and Bearing - Upper (Item 6) are replaceable.
- 2) If an "X" follows Model No., or Date Mfg. on brass ID tag, consult factory for ordering of this part.
- 3) See FM0160 Parts Price Sheet for listing of parts prices.
- 4) "NA" indicates, not applicable.

REPLACEMENT PARTS ILLUSTRATION FOR MODELS "K295" and "Q295".



SK1285



**PUMP COMPANY**

MAIL TO: P.O. BOX 16347 • Louisville, KY 40256-0347 USA  
 SHIP TO: 3649 Cane Run Road • Louisville, KY 40211-1961 USA  
 +1 (502) 778-2731 • 1-800-928-7867 • FAX +1 (502) 774-3624

Your Peace of Mind is Our Top Priority®

visit our web site:  
[www.zoeller.com](http://www.zoeller.com)