

Product information presented here reflects conditions at time of publication. Consult factory regarding discrepancies or inconsistencies.

Zoeller Family of Water Solutions™

MAIL TO: P.O. BOX 16347 • Louisville, KY 40256-0347 USA  
SHIP TO: 3649 Cane Run Road • Louisville, KY 40211-1961 USA  
+1 (502) 778-2731 • 1-800-928-7867 • FAX +1 (502) 774-3624

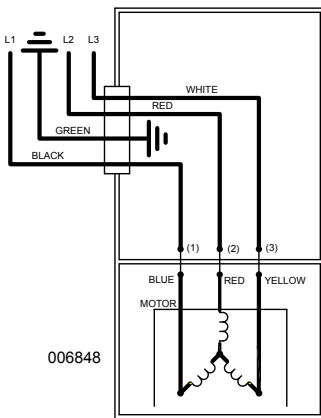
visit our web site:  
[www.zoeller.com](http://www.zoeller.com)

## REPLACEMENT PARTS LIST FOR MODELS:

- AK293 NONAUTOMATIC 380V/3PH/50HZ**
- K293 NONAUTOMATIC 380V/3PH/60HZ**
- V293 NONAUTOMATIC 220V/1PH/50HZ**
- U293 AUTOMATIC 220V/1PH/50HZ**
- BL293 NONAUTOMATIC 220V/1PH/60HZ**
- BK293 AUTOMATIC 220V/1PH/60HZ**

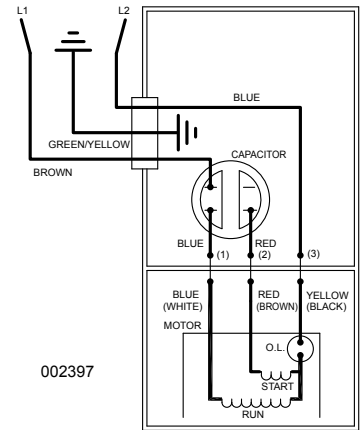
**TO ORDER REPLACEMENT PARTS:**  
**PLEASE FURNISH THE FOLLOWING INFORMATION:**

- Model Number
- Part Number of Pump
- Part Number and Description of part



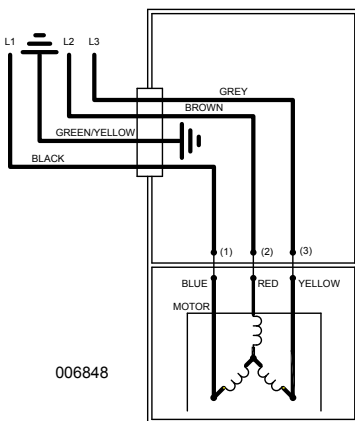
006848

WIRING DIAGRAM FOR MODEL  
"K293"  
7/96 thru Current  
All Revisions



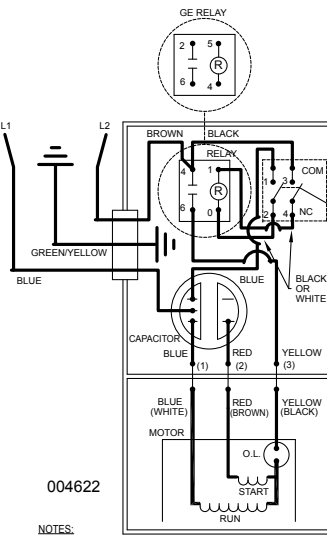
002397

WIRING DIAGRAM FOR MODEL  
"V293"  
5/95 thru Current  
All Revisions



006848

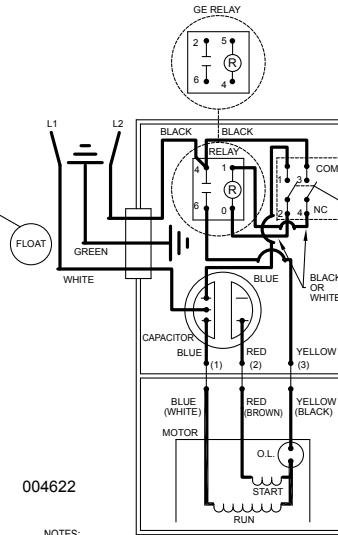
WIRING DIAGRAM FOR  
MODELS  
"AK293"  
8/98 thru Current  
All Revisions



004622

NOTES:  
INSULATORS REQUIRED ON GE RELAY TERMINALS 2 & 5;  
OMRON RELAY TERMINALS 1 & 4.

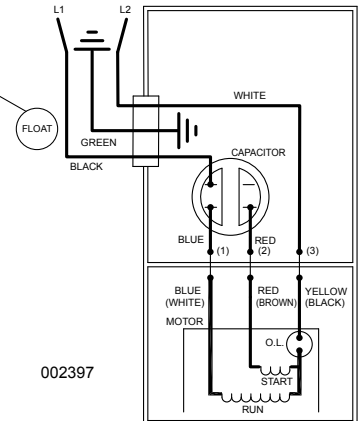
WIRING DIAGRAM FOR  
MODELS  
"U293"  
8/96 thru Current  
All Revisions



004622

NOTES:  
INSULATORS REQUIRED ON GE RELAY TERMINALS 2 & 5;  
OMRON RELAY TERMINALS 1 & 4.

WIRING DIAGRAM FOR  
MODELS  
"BK293"  
12/98 thru Current  
All Revisions



002397

WIRING DIAGRAM FOR  
MODELS  
"BL293"  
2/93 thru Current  
All Revisions

# REPLACEMENT PARTS LIST FOR MODEL "AK293".

See page 8 for illustration.

MODELS: AK293-A AK293-B AK293-C						
REF. NO.	DESCRIPTION	QTY	NOTES	8/98 thru 7/09	8/09 thru 9/16	10/16 thru Current
1	• Handle	1		217069	217069	217069
2	Cover & Cord (Cord, SOW - 20' length no plug)	1	2	002963	002963	002963
	Cover & Cord (Cord, CE-33' length no plug)			152028	152028	152028
3	Cover-Mach	1	2	001077	001077	001077
4	• Gasket, Case/Cover	1		001011	001011	001011
5	Housing, Motor and Stator	1	1	003770	019658	019658
6	Bearing, sleeve	1		001012	N/A	N/A
	Bearing, radial			N/A	006703	006703
7	Clamp, Strain relief	1	2	001770	001770	001770
8	Cord, term & seal (Cord, SOW - 20' length)	1	2	005131	005131	005131
	Cord, term & seal (Cord, CE-33' length)			152019	152019	152019
9	Seal, Cord-Asm & Strain Relief	1	2	094032	094032	094032
10	• Plug, test white	2		034090	034090	034090
11	• Seal, thru wall term	3		003402	003402	003402
12	Rotor and bearing	1		004870	019651	019651
13	• Bearing, radial	1		001013	010069	010069
14	• Seal, Motor housing	1		001014	001014	001014
15	• Oil, Dielectric	1		003168	011066	011066
16	Adapter-Mach	1		001003	001003	001003
17	• Seal, Shaft	1		002430	002430	002430
18	Impeller "293" Bronze	1		014863	014863	014863
	Impeller "293" Cast iron	1		N/A	N/A	154002
19	Flange Pkg 2" NPT	1		10-1305	10-1305	10-1305
	Flange Pkg 3" NPT			10-1306	10-1306	10-1306
20	Housing, pump-mach	1		001005	001005	001005
21	• Screw, #6-32 X .25 RHM SI Tc Stlgr	1		001877	001877	001877
22	• Screw, .25-20 X .75 HHm-SS	4		001916	001916	001916
23	• Screw, .313-18 X 1 HH Cap -SS	4		002608	002608	002608
24	• Screw, .5-13 X 2 HH Cap - SS	2		001909	001909	001909
25	• Washer, SS-1.25 Od X .562ld X .078	2		002115	002115	002115
26	• Screw, #10-24 X .375 RHM-SI SS	2		001883	001883	001883
27	• Screw, .25-20 X 1 HHm-SS	4		007790	007790	007790
28	• Nut, Acorn SS	1		004351	004351	004351
▣	Rebuild Kit			152038	152039	152039

- Items included in Rebuild Kit.
- ▣ Not Shown in Illustration.

## NOTES:

- 1) Mtr. Hsg., Brg., Stator & Term. (Item 5) is preassembled at the factory and must be replaced as a unit. Stator is permanently attached to the Motor Housing. Plug (Item 10); Seal, Thru Wall Term. (Item 11) and Bearing-Upper (Item 6) are replaceable.
- 2) If an "X" follows Model No., or Date Mfg. on brass ID tag, consult factory for ordering any parts.
- 3) See FM0160 Parts Price Sheet for listing of parts prices.
- 4) "NA" indicates, not applicable.

# REPLACEMENT PARTS LIST FOR MODEL "K293".

See page 8 for illustration.

MODELS: K293-A K293-B K293-C						
REF. NO.	DESCRIPTION	QTY	NOTES	7/96 thru 7/09	8/09 thru 5/16	6/16 thru Current
1	• Handle	1		217069	217069	217069
2	Cover & Cord (Cord, SOW - 20' length no plug)	1	2	002963	002963	002963
	Cover & Cord (Cord, H07RN-F4G1.5 - 20' length no plug)			153215	153215	153215
3	Cover-Mach	1	2,3	001077	001077	001077
4	• Gasket, Case/Cover	1		001011	001011	001011
5	Housing, Motor and Stator	1	1	003770	019658	019658
6	Bearing, sleeve	1		001012	N/A	N/A
	• Bearing, radial			N/A	006703	006703
7	Clamp, Strain relief (Cord, SOW)	1	2	001770	001770	001770
8	Cord, term & seal	1	2	005131	005131	005131
	Cord, term & seal (H07RN-F4G1.5-20' length)			153216	153216	153216
9	• Seal, Cord-Asm & Strain Relief	1	2	094032	094032	094032
10	• Plug, test white	2		034090	034090	034090
11	• Seal, thru wall term	3		003402	003402	003402
12	Rotor and bearing	1		004870	019651	019651
13	• Bearing, radial	1		001013	010069	010069
14	• Seal, Motor housing	1		001014	001014	001014
15	• Oil, Dielectric	1		003168	011066	011066
16	Adapter-Mach	1		001003	001003	001003
17	• Seal, Shaft	1		002430	002430	002430
18	Impeller, Bronze	1		012218	012218	012977
	Impeller, Cast iron	1		N/A	N/A	154000
19	Flange Pkg 2" NPT	1		10-1305	10-1305	10-1305
	Flange Pkg 3" NPT			10-1306	10-1306	10-1306
20	Housing, pump-mach	1		001005	001005	001005
21	• Screw, #6-32 X .25 RHM SI Tc Stlgr	1		001877	001877	001877
22	• Screw, .25-20 X .75 HHm-SS	4		001916	001916	001916
23	• Screw, .313-18 X 1 HH Cap -SS	4		002608	002608	002608
24	• Screw, .5-13 X 2 HH Cap - SS	2		001909	001909	001909
25	• Washer, SS-1.25 Od X .562ld X .078	2		002115	002115	002115
26	• Screw, #10-24 X .375 RHM-SI SS	2		001883	001883	001883
27	• Screw, .25-20 X 1 HHm-SS	4		007790	007790	007790
28	• Nut, Acorn SS	1		004351	004351	004351
☐	Rebuild Kit			152038	152039	152039

• Items included in Rebuild Kit.

☐ Not Shown in Illustration.

## NOTES:

- 1) Mtr. Hsg., Brg., Stator & Term. (Item 5) is preassembled at the factory and must be replaced as a unit. Stator is permanently attached to the Motor Housing. Plug (Item 10); Seal, Thru Wall Term. (Item 11) and Bearing-Upper (Item 6) are replaceable.
- 2) If an "X" follows Model No., or Date Mfg. on brass ID tag, consult factory for ordering any parts.
- 3) See FM0160 Parts Price Sheet for listing of parts prices.
- 4) "NA" indicates, not applicable.

# REPLACEMENT PARTS LIST FOR MODEL "U293".

See page 10 for illustration.

REF. NO.	DESCRIPTION	QTY	NOTES	MODELS: U293-A,B,C				U293-D	U293-E	U293-F
				8/96 thru 7/09	8/09 thru 1/16	2/16 thru 9/16	10/16 thru Current			
1	Case Sw & Cord (Cord, SOW-20' length no plug)	1	2	005383	005383	005383	005383			
	Case Sw & Cord (Cord-33' length BS 1363/A; UK Plug)			151264	151264	151264	151264			
	Case Sw & Cord (Cord-15' length CEE 7/7; E/F Plug)			152025	152025	152025	152025			
	Case Sw & Cord (Cord-15' length AS/NZS 3112; I Plug)			152024	152024	152024	152024			
2	• Guard	1		001023	001023	001023	001023			
3	Case-Mach	1	2	004614	004614	004614	004614			
4	• Arm & Seal Asm	1		004745	004745	004745	004745			
5	• Gasket, Case/Cover	1		001011	001011	001011	001011			
6	Switch Asm	1		004744	004744	004744	004744			
7	• Wire Pkg (5) Wires	1		004749	004749	004749	004749			
8	Relay	1		217093	217093	153833	153833			
9	Capacitor & Clamp Asm	1		002381	002381	002381	002381			
10	Float, Plastic	1		094039	094039	094039	094039			
11	Guide Asm, Flt Rod	1		001072	001072	001072	001072			
12	Rod Asm, Flt	1		001043	150438	150438	150438			
13	Housing, Mtr-& Str	1	1	002382	019655	019655	019655			
14	Bearing, Sleeve	1		001012	N/A	N/A	N/A			
	• Bearing, Radial			N/A	006703	006703	006703			
15	• Handle	1		217069	217069	217069	217069			
16	Cord Term&Seal (SOW-20' length)	1	2	005384	005384	005384	005384			
	Cord Term&Seal (33' length BS 1363/A; UK Plug)			151262	151262	151262	151262			
	Cord Term&Seal (15' length CEE 7/7; E/F Plug)			152017	152017	152017	152017			
	Cord Term&Seal (15' length AS/NZS 3112; I Plug)			152015	152015	152015	152015			
17	Clamp, Strain Relief (Cord, SOW)	1	2	001770	001770	001770	001770			
	Clamp, Strain Relief			004200	004200	004200	004200			
18	• Seal, Cord-Asm & Str Rlf	1	2	094032	094032	094032	094032			
19	• Plug, Test-White	2		034090	034090	034090	034090			
20	• Seal, Thru Wall Term	3		003402	003402	003402	003402			
21	Rotor & Brg	1		001074	019650	019650	019650			
22	• Bearing, Radial	1		001013	010069	010069	010069			
23	• Seal, Mtr Hsg	1		001014	001014	001014	001014			
24	• Oil, Dielectric	1		002383	011066	011066	011066			
25	Adapter-Mach	1		001003	001003	001003	001003			
26	• Seal, Shaft	1		002430	002430	002430	002430			
	Flange Pkg 2" Npt		1		10-1305	10-1305	10-1305	10-1305		
27	Flange Pkg 3" Npt	1		10-1306	10-1306	10-1306	10-1306			
28	Impeller "293" Bronze	1		014862	014862	014862	014862			
	Impeller "293" Cast iron	1		N/A	N/A	N/A	154001			
29	Housing, Pump-Mach	1		001005	001005	001005	001005			
30	• Screw, #10-24 X .375 RHM-SI SS	2		001883	001883	001883	001883			
31	• Screw, #6-32 X .25 RHM SI Tc Stlgr	5		001877	001877	001877	001877			
32	• Screw, .25-20 X .75 HHm-SS	4		001916	001916	001916	001916			
33	• Screw, #6-32 X .438 RHsltp Stlzi	2		004644	004644	004644	004644			
34	• Screw, .5-13 X 2 HH Cap-SS	2		001909	001909	001909	001909			
35	• Washer, SS-1.25Od X .562ld X .078	2		002115	002115	002115	002115			
36	• Screw, .313-18 X 1 HH Cap-SS	4		002608	002608	002608	002608			
37	• Screw, .25-20 X 1 HHm-SS	4		007790	007790	007790	007790			
□	Rebuild Kit			152036	152037	152037	152037			

- Items included in Rebuild Kit.
- Not Shown in Illustration.

## NOTES:

- 1) Mtr. Hsg., Brg., Stator & Term. (Item 13) is preassembled at the factory and must be replaced as a unit. Stator is permanently attached to the Motor Housing. Plug (Item 19); Seal, Thru Wall Term. (Item 20) and Bearing-Upper (Item 18) are replaceable.
- 2) If an "X" follows Model No., or Date Mfg. on brass ID tag, consult factory for ordering any parts.
- 3) See FM0160 Parts Price Sheet for listing of parts prices.
- 4) "NA" indicates, not applicable.

# REPLACEMENT PARTS LIST FOR MODEL "V293".

See page 9 for illustration.

REF. NO.	DESCRIPTION	QTY	NOTES	MODELS: V293-A,B,C,D,E		
				V293-F	V293-G	
				05/95 thru 07/09	08/09 thru 9/16	10/16 thru Current
1	• Handle	1		217069	217069	217069
2	Cover & Cord (Cord, SOW-20' length no plug)	1	2	013883	013883	013883
	Cover & Cord (Cord-33' length BS 1363/A; UK Plug)			151265	151265	151265
	Cover & Cord (Cord-33' length CEE 7/7; E/F Plug)			152027	152027	152027
	Cover & Cord (Cord-15' length AS/NZS 3112; I Plug)			152026	152026	152026
3	Cover-Mach	1	2	001077	001077	001077
4	• Gasket, Case/Cover	1		001011	001011	001011
5	• Wire Pkg (2) Wires	1		004756	004756	004756
6	Capacitor & Clamp Asm	1		002381	002381	002381
7	Housing, Mtr-&Str	1	1	002382	019655	019655
8	Bearing, Sleeve	1		001012	N/A	N/A
	Bearing, Radial			N/A	006703	006703
9	Cord Term&Seal (SOW-20' length)	1	2	005385	005385	005385
	Cord Term&Seal (33' length BS 1363/A; UK Plug)			151263	151263	151263
	Cord Term&Seal (33' length CEE 7/7; E/F Plug)			152018	152018	152018
	Cord Term&Seal (15' length AS/NZS 3112; I Plug)			152016	152016	152016
10	Clamp, Strain Relief (Cord, SOW)	1	2	001770	001770	001770
	Clamp, Strain Relief			004200	004200	004200
11	• Seal, Cord-Asm & Str Rif	1	2	094032	094032	094032
12	• Plug, Test-White	2		034090	034090	034090
13	• Seal, Thru Wall Term	3		003402	003402	003402
14	Rotor & Brg	1		001074	019650	019650
15	• Bearing, Radial	1		001013	010069	010069
16	• Seal, Mtr Hsg	1		001014	001014	001014
17	• Oil, Dielectric	1		002383	011066	011066
18	Adapter-Mach	1		001003	001003	001003
19	• Seal, Shaft	1		002430	002430	002430
20	Flange Pkg 2" Npt	1		10-1305	10-1305	10-1305
20	Flange Pkg 3" Npt	1		10-1306	10-1306	10-1306
21	Impeller "292" Bronze	1		014862	014862	014862
	Impeller "292" Cast iron	1		N/A	N/A	154001
22	Housing, Pump-Mach	1		001005	001005	001005
23	• Screw, #6-32 X .25 RHM SI Tc Stlgr	3		001877	001877	001877
24	• Screw, #10-24 X .375 RHM-SI SS	1		001883	001883	001883
25	• Screw, .25-20 X .75 HHm-SS	4		001916	001916	001916
26	• Screw, .5-13 X 2 HH Cap-SS	2		001909	001909	001909
27	• Washer, SS-1.25Od X .562Id X .078	2		002115	002115	002115
28	• Screw, .313-18 X 1 HH Cap-SS	4		002608	002608	002608
29	• Screw, .25-20 X 1 HHm-SS	4		007790	007790	007790
⊠	Rebuild Kit			152038	152039	152039

• Items included in Rebuild Kit.

⊠ Not Shown in Illustration.

## NOTES:

- 1) Mtr. Hsg., Brg., Stator & Term. (Item 7) is preassembled at the factory and must be replaced as a unit. Stator is permanently attached to the Motor Housing. Plug (Item 12); Seal, Thru Wall Term. (Item 13) and Bearing-Upper (Item 11) are replaceable.
- 2) If an "X" follows Model No., or Date Mfg. on brass ID tag, consult factory for ordering any parts.
- 3) See FM0160 Parts Price Sheet for listing of parts prices.
- 4) "NA" indicates, not applicable.

# REPLACEMENT PARTS LIST FOR MODEL "BL293".

See page 9 for illustration.

REF. NO.	DESCRIPTION	QTY	NOTES	MODELS: BL293-A BL293-B BL293-C		
				12/98 thru 7/09	8/09 thru 5/16	6/16 thru Current
1	• Handle	1		217069	217069	217069
2	Cover & Cord (Cord, SOW-20' length no plug)	1	2	013883	013883	013883
	Cover & Cord (Cord, 20' length H07RN-F3G1.5 no plug)			152030	152030	152030
3	Cover-Mach	1	2	001077	001077	001077
4	• Gasket, Case/Cover	1		001011	001011	001011
5	• Wire Pkg (2) Wires	1		004756	004756	004756
6	Capacitor & Clamp Asm	1		002381	002381	002381
7	Housing, Mtr-&Str	1	1	002382	019655	019655
8	Bearing, Sleeve	1		001012	N/A	N/A
	Bearing, Radial			N/A	006703	006703
9	Cord Term&Seal (SOW-20' length)	1	2	005385	005385	005385
	Cord Term&Seal (H07RN-F3G1.5 -20' length)	1	2	152021	152021	152021
10	Clamp, Strain Relief (Cord, SOW)	1	2	001770	001770	001770
	Clamp, Strain Relief			152191	152191	152191
11	• Seal, Cord-Asm & Str Rlf	1	2	094032	094032	094032
12	• Plug, Test-White	2		034090	034090	034090
13	• Seal, Thru Wall Term	3		003402	003402	003402
14	Rotor & Brg	1		001074	019650	019650
15	• Bearing, Radial	1		001013	010069	010069
16	• Seal, Mtr Hsg	1		001014	001014	001014
17	• Oil, Dielectric	1		002383	011066	011066
18	Adapter-Mach	1		001003	001003	001003
19	• Seal, Shaft	1		002430	002430	002430
20	Flange Pkg 2" Npt	1		10-1305	10-1305	10-1305
20	Flange Pkg 3" Npt	1		10-1306	10-1306	10-1306
21	Impeller, Bronze	1		004222	004222	004216
	Impeller, Cast iron	1		N/A	N/A	153999
22	Housing, Pump-Mach	1		001005	001005	001005
23	• Screw, #6-32 X .25 RHM SI Tc Stlgr	3		001877	001877	001877
24	• Screw, #10-24 X .375 RHM-SI SS	1		001883	001883	001883
25	• Screw, .25-20 X .75 HHm-SS	4		001916	001916	001916
26	• Screw, .5-13 X 2 HH Cap-SS	2		001909	001909	001909
27	• Washer, SS-1.25Od X .562ld X .078	2		002115	002115	002115
28	• Screw, .313-18 X 1 HH Cap-SS	4		002608	002608	002608
29	• Screw, .25-20 X 1 HHm-SS	4		007790	007790	007790
α	Rebuild Kit			152038	152039	152039

- Items included in Rebuild Kit.
- α Not Shown in Illustration.

## NOTES:

- 1) Mtr. Hsg., Brg., Stator & Term. (Item 7) is preassembled at the factory and must be replaced as a unit. Stator is permanently attached to the Motor Housing. Plug (Item 12); Seal, Thru Wall Term. (Item 13) and Bearing-Upper (Item 11) are replaceable.
- 2) If an "X" follows Model No., or Date Mfg. on brass ID tag, consult factory for ordering any parts.
- 3) See FM0160 Parts Price Sheet for listing of parts prices.
- 4) "NA" indicates, not applicable.

# REPLACEMENT PARTS LIST FOR MODEL "BK293".

See page 10 for illustration.

REF. NO.	DESCRIPTION	QTY	NOTES	MODELS: BK293-A BK293-B BK293-C BK293-D			
				12/98 thru 7/09	8/09 thru 1/16	2/16 thru 5/16	6/16 thru Current
1	Case Sw & Cord (Cord-10' length CEE 7/7; E/F Plug)			152031	152031	152031	152031
2	• Guard	1		001023	001023	001023	001023
3	Case-Mach	1	2	004614	004614	004614	004614
4	• Arm & Seal Asm	1		004745	004745	004745	004745
5	• Gasket, Case/Cover	1		001011	001011	001011	001011
6	Switch Asm	1		004744	004744	004744	004744
7	• Wire Pkg (5) Wires	1		004749	004749	004749	004749
8	Relay	1		217093	217093	153833	153833
9	Capacitor & Clamp Asm	1		002381	002381	002381	002381
10	Float, Plastic	1		094039	094039	094039	094039
11	Guide Asm, Flt Rod	1		001072	001072	001072	001072
12	Rod Asm, Flt	1		001043	150438	150438	150438
13	Housing, Mtr- & Str	1	1	002382	019655	019655	019655
14	Bearing, Sleeve	1		001012	N/A	N/A	N/A
	• Bearing, Radial		N/A	006703	006703	006703	
15	• Handle	1		217069	217069	217069	217069
16	Cord Term&Seal (10' length CEE 7/7; E/F Plug)			152022	152022	152022	152022
17	Clamp, Strain Relief	1		152191	152191	152191	152191
18	• Seal, Cord-Asm & Str Rif	1		151312	151312	151312	151312
19	• Plug, Test-White	2		034090	034090	034090	034090
20	• Seal, Thru Wall Term	3		003402	003402	003402	003402
21	Rotor & Brg	1		001074	019650	019650	019650
22	• Bearing, Radial	1		001013	010069	010069	010069
23	• Seal, Mtr Hsg	1		001014	001014	001014	001014
24	• Oil, Dielectric	1		002383	011066	011066	011066
25	Adapter-Mach	1		001003	001003	001003	001003
26	• Seal, Shaft	1		002430	002430	002430	002430
27	Flange Pkg 2" Npt	1		10-1305	10-1305	10-1305	10-1305
27	Flange Pkg 3" Npt	1		10-1306	10-1306	10-1306	10-1306
28	Impeller, Bronze	1		004222	004222	004222	004216
	Impeller, Cast iron	1		N/A	N/A	N/A	153999
29	Housing, Pump-Mach	1		001005	001005	001005	001005
30	• Screw, #10-24 X .375 RHM-SI SS	2		001883	001883	001883	001883
31	• Screw, #6-32 X .25 RHM SI Tc Stlgr	5		001877	001877	001877	001877
32	• Screw, .25-20 X .75 HHm-SS	4		001916	001916	001916	001916
33	• Screw, #6-32 X .438 Rhstlp Stlzi	2		004644	004644	004644	004644
34	• Screw, .5-13 X 2 HH Cap-SS	2		001909	001909	001909	001909
35	• Washer, SS-1.25Od X .562ld X .078	2		002115	002115	002115	002115
36	• Screw, .313-18 X 1 HH Cap-SS	4		002608	002608	002608	002608
37	• Screw, .25-20 X 1 HHm-SS	4		007790	007790	007790	007790
▣	Rebuild Kit			152036	152037	152037	152037

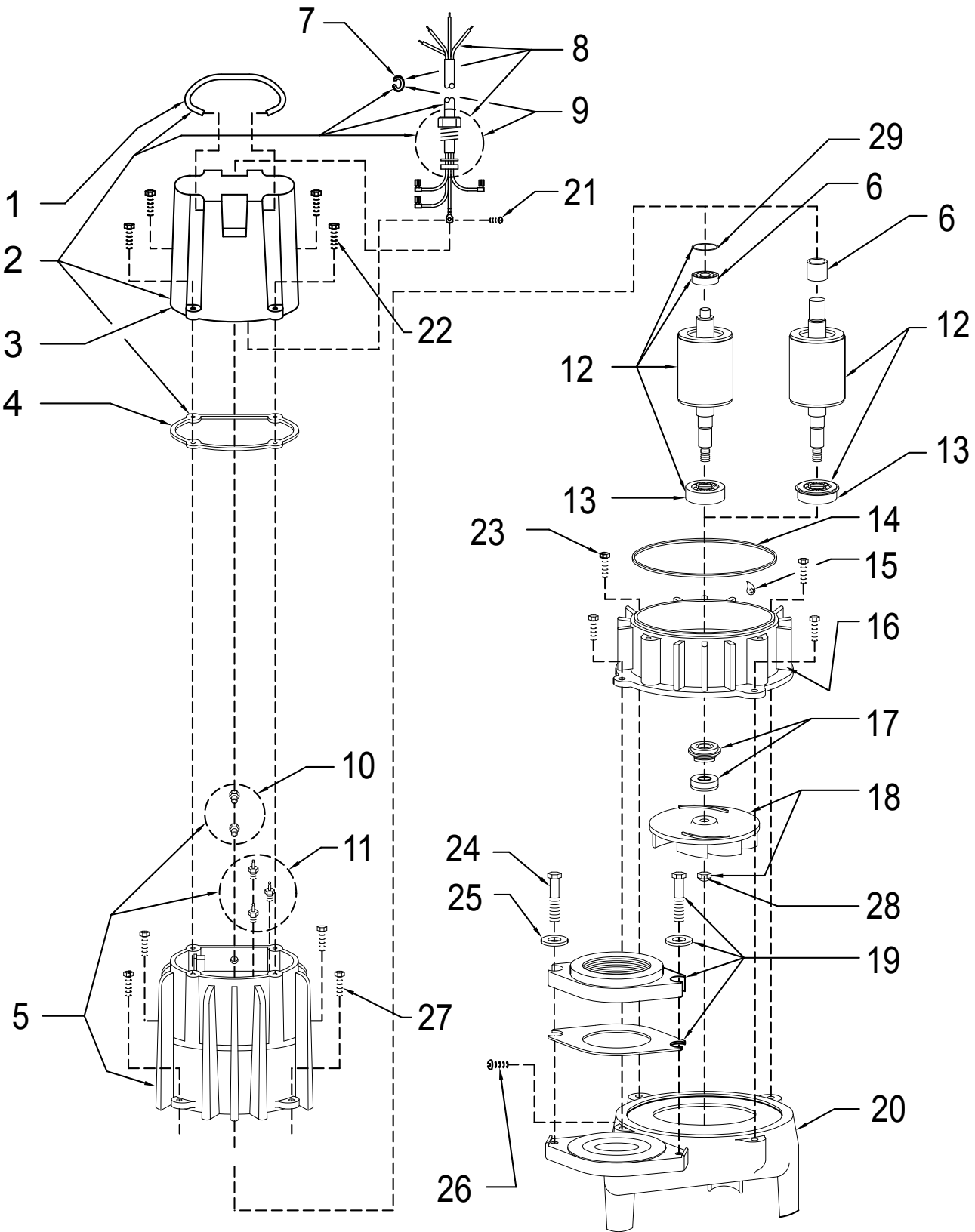
• Items included in Rebuild Kit.

▣ Not Shown in Illustration.

## NOTES:

- 1) Mtr. Hsg., Brg., Stator & Term. (Item 13) is preassembled at the factory and must be replaced as a unit. Stator is permanently attached to the Motor Housing. Plug (Item 19); Seal, Thru Wall Term. (Item 20) and Bearing-Upper (Item 18) are replaceable.
- 2) If an "X" follows Model No., or Date Mfg. on brass ID tag, consult factory for ordering any parts.
- 3) See FM0160 Parts Price Sheet for listing of parts prices.
- 4) "NA" indicates, not applicable.

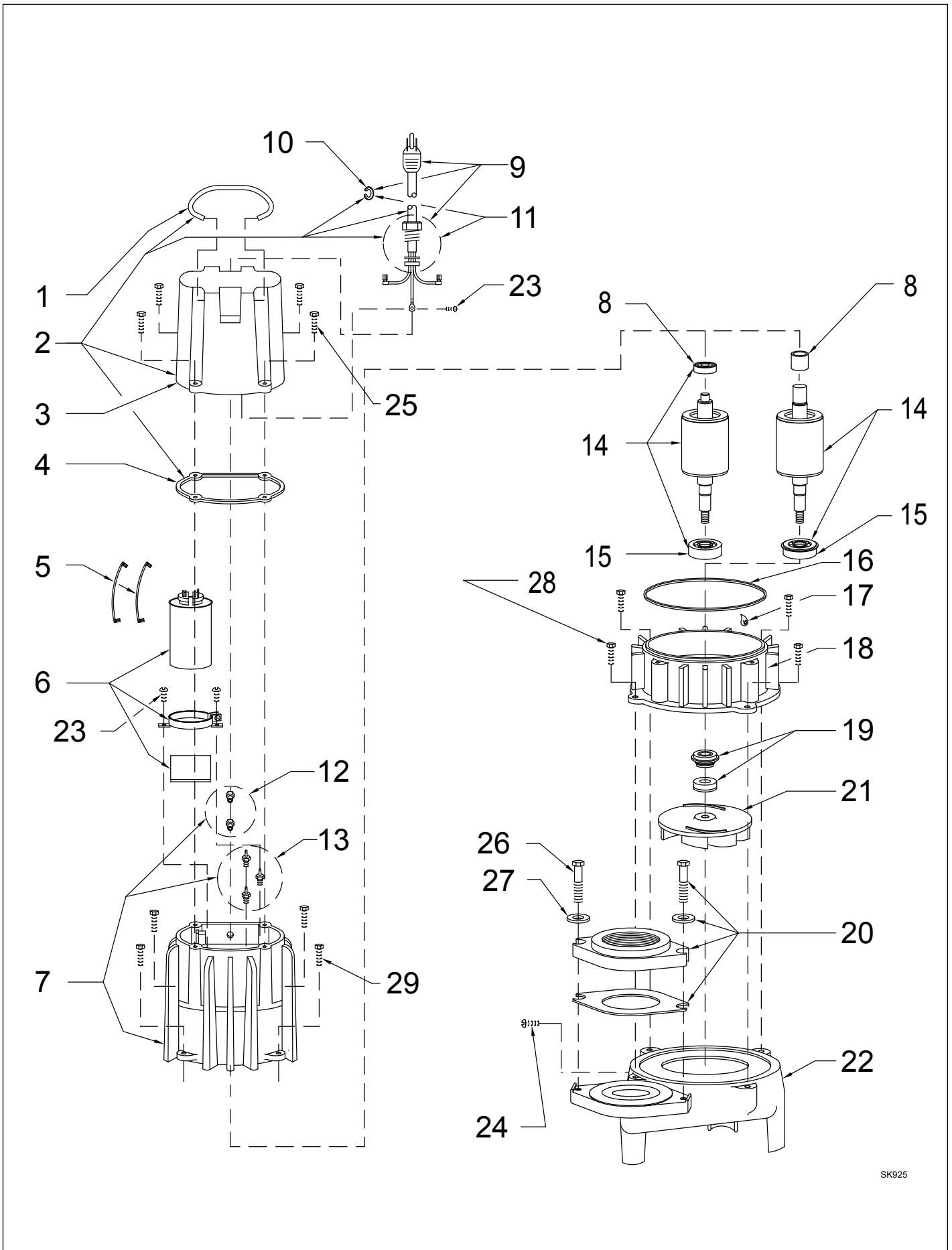
REPLACEMENT PARTS ILLUSTRATION FOR MODELS "AK293" AND "K293"



SK1285

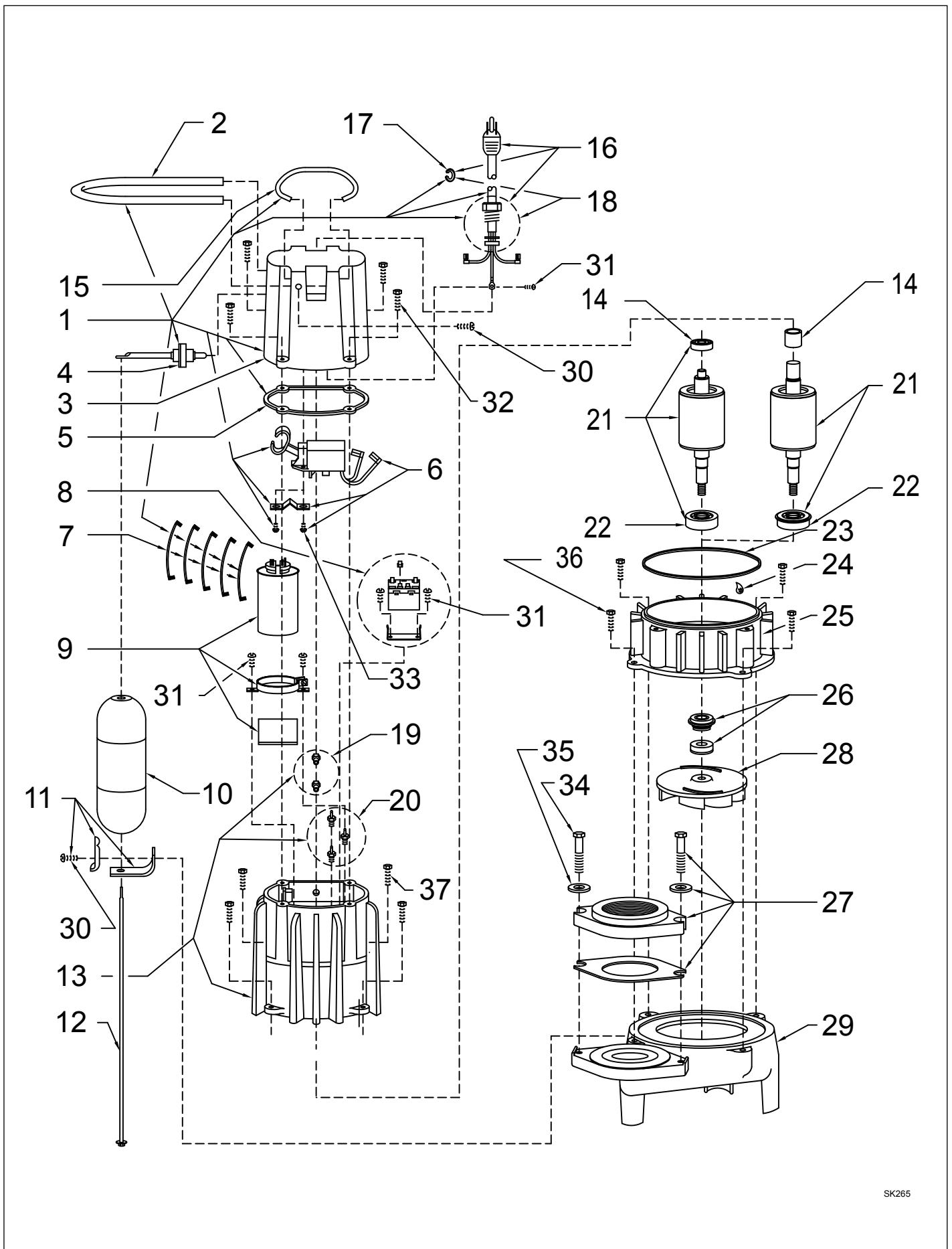


# REPLACEMENT PARTS ILLUSTRATION FOR MODEL "V293" AND "BL293"



SK925

# REPLACEMENT PARTS ILLUSTRATION FOR MODEL "U293" AND "BK293"



SK265

## NOTES

# NOTES

Empty rectangular box for notes.



**PUMP COMPANY**

MAIL TO: P.O. BOX 16347 • Louisville, KY 40256-0347 USA  
SHIP TO: 3649 Cane Run Road • Louisville, KY 40211-1961 USA  
+1 (502) 778-2731 • 1-800-928-7867 • FAX +1 (502) 774-3624

*Your Peace of Mind is Our Top Priority®*

*visit our web site:*  
[www.zoeller.com](http://www.zoeller.com)