

NOTICE TO INSTALLER: Instructions must remain with installation.

Your Peace of Mind is Our Top Priority®



PUMP COMPANY

Zoeller Family of Water Solutions™

MAIL TO: P.O. BOX 16347 • Louisville, KY 40256-0347
SHIP TO: 3649 Cane Run Road • Louisville, KY 40211-1961
(502) 778-2731 • 1 (800) 928-PUMP • FAX (502) 774-3624

visit our web site:
www.zoeller.com

FM0483
1116
Supersedes
0916

Product information presented here reflects conditions at time of publication. Consult factory regarding discrepancies or inconsistencies.

APAK® ALARM SYSTEM INSTALLATION INSTRUCTIONS FOR THE MODEL 10-2614

FOR YOUR PROTECTION ALWAYS DISCONNECT FROM POWER SOURCE BEFORE HANDLING.

The APak® Alarm system has a double insulated plastic enclosure for your protection and is supplied with a 2-prong plug.

SPECIFICATIONS

This alarm system monitors liquid levels in lift pump chambers, sump pump basins, holding tanks, sewage, agricultural and other non-potable water applications. It features a red warning light, green "power on" light, alarm test switch and horn silence switch. APak® primary voltage is 120 V AC, 60 Hz, 2.4 watts max (alarm condition) (circuit is not supervised). Secondary voltage is 9 V DC (circuit is not supervised). Battery backup power is 9 V DC. **NOTE:** 9 V battery is not included and must be purchased separately.

NOTE: The alarm panel plugs into a standard household 120 V AC socket. **DO NOT** plug APak® Alarm System into the same circuit as the pump. The APak® Alarm System should be connected to a circuit separate from the pump circuit. Push test button to check alarm panel for operation.

ALARM PANEL INSTALLATION

- 1) Before installing alarm panel, remove battery cover on side of alarm panel and install a 9 V battery. (not included)
- 2) Mount the alarm panel indoors with screws provided. **NOTE:** The mounting screw is to be located over a wall stud or used with a wall anchor sized for a #8 x 1.25 self tapping screw.
- 3) Hang the panel by the keyhole in the back of the alarm enclosure and install the second screw between the tabs located on bottom of the enclosure.
- 4) Using the provided cable clamp, secure the power cord to the outlet as shown (see Fig. A). Use existing receptacle faceplate screw and supplied washer.

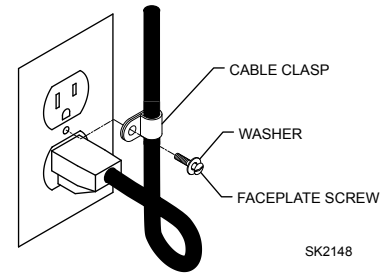


Figure A

CONTROL SWITCH INSTALLATION

MECHANICAL FLOAT SWITCH (10-2614)

- 1) Place cord into clamp and secure to discharge pipe as shown in clamp detail (see Fig. B). **NOTE:** Do not install the cord under the hose clamp.
- 2) Tighten the hose clamp with a screwdriver. **NOTE:** Do not over tighten; over tightening may cause damage to the plastic clamp.
- 3) Make sure the float cable is not allowed to touch the excess hose clamp band during operation.
- 4) The float switch must be suspended seven inches below desired activation level. (see Fig. D)
- 5) Allow system to cycle to ensure proper operation.

LIFT PUMP

Suspend control switch above pump turn on level. If a pump failure causes high-level condition, the APak® Alarm System will activate (see Figure C).

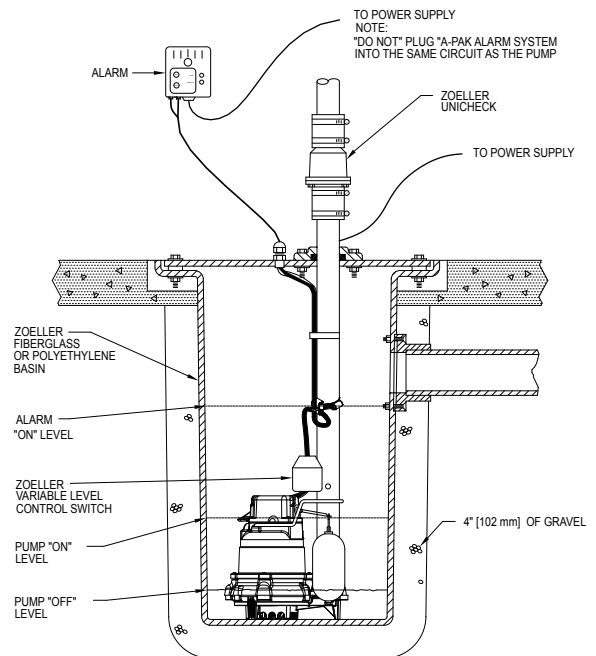


Figure C

CONTROL SWITCH INSTALLATION, *continued*

CLAMP DETAIL (Tether Length Non-Adjustable)

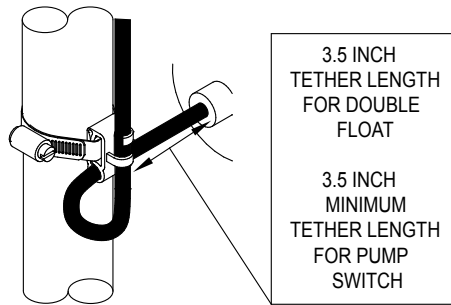


Figure B

SK1301H

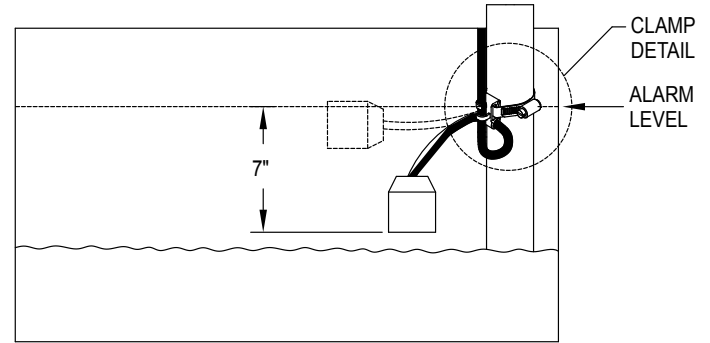


Figure D

SK1301G

SEWAGE HOLDING TANK

Suspend control switch into tank seven inches below desired alarm level. APak® Alarm System will activate if float ascends to alarm level (see Fig. D).

CONTROL SWITCH WIRING

Connect the two conductors from the control switch to either of the terminations on the bottom of the alarm panel (see Fig. G).

The control switch operates on low voltage and is isolated from the 120 V AC power line to reduce shock hazards.

TEST

Check and test your installation by lifting the float manually (see Fig. D or F). The alarm panel should indicate an alarm condition. The Zoeller Company cannot be responsible for damages caused by faulty or negligent installation of this device. We respectfully suggest you engage the services of a qualified licensed electrician or service person. Push TEST button once per week to verify proper operation.

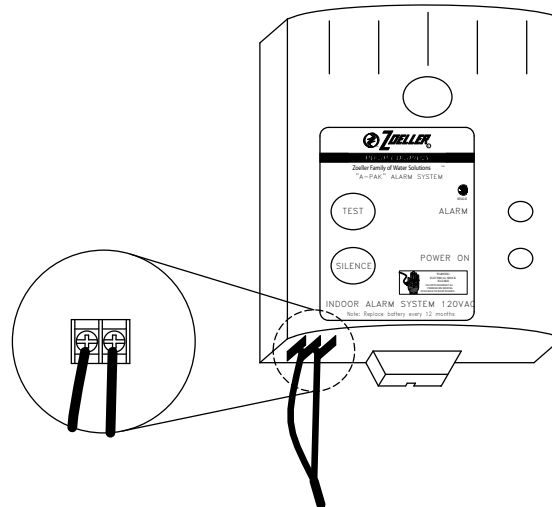


Figure G

SK2375



MAIL TO: P.O. BOX 16347 • Louisville, KY 40256-0347
SHIP TO: 3649 Cane Run Road • Louisville, KY 40211-1961
(502) 778-2731 • 1 (800) 928-PUMP • FAX (502) 774-3624

Your Peace of Mind is Our Top Priority®

visit our web site:
www.zoeller.com