



THE SHARK Series

Expanded Offering **Grinder Series** **Models 818, 819, 820**

New 1.0 and 1.5 HP models join 2.0 HP grinder for challenging applications

Features:

- New 2-blade, angled cutter design provides superior grinding with sharper cutting edges
- More torque delivered to each cutter blade
- Lowered amp spikes during demanding grinding cycles
- Cutting plate decreases solids to less than 1/8" (3 mm)
- Cool-run design incorporates an oil-filled motor with finned housings
- Automatic & non-automatic models
1 HP: 115/200/230 Volt, 1 Phase
1.5 & 2.0 HP: 200/230 Volt, 1 Phase

Zoeller Shark® Series grinder pumps are engineered to grind and pump tough materials, including disposable wipes, found in today's wastewater applications.

100% factory tested



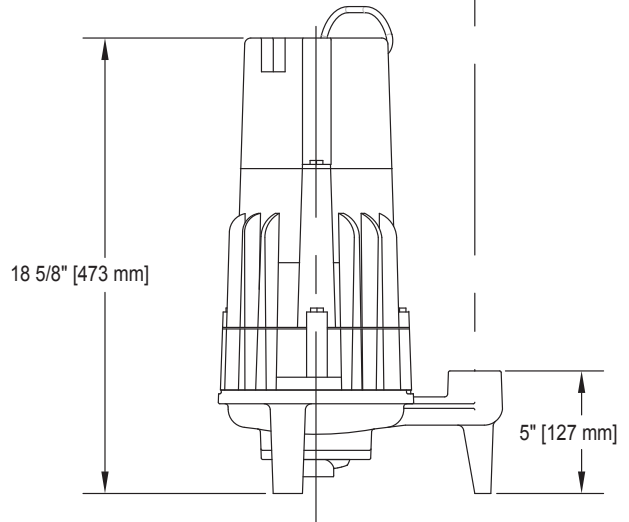
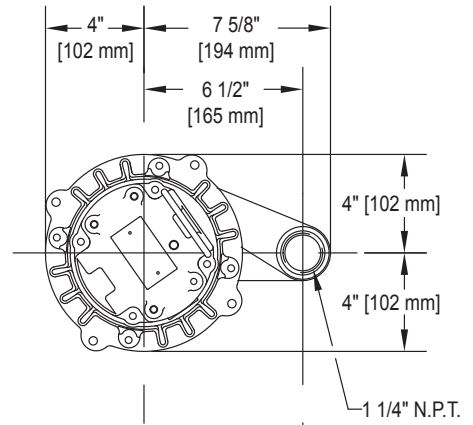
Grinder blade and cutting plate



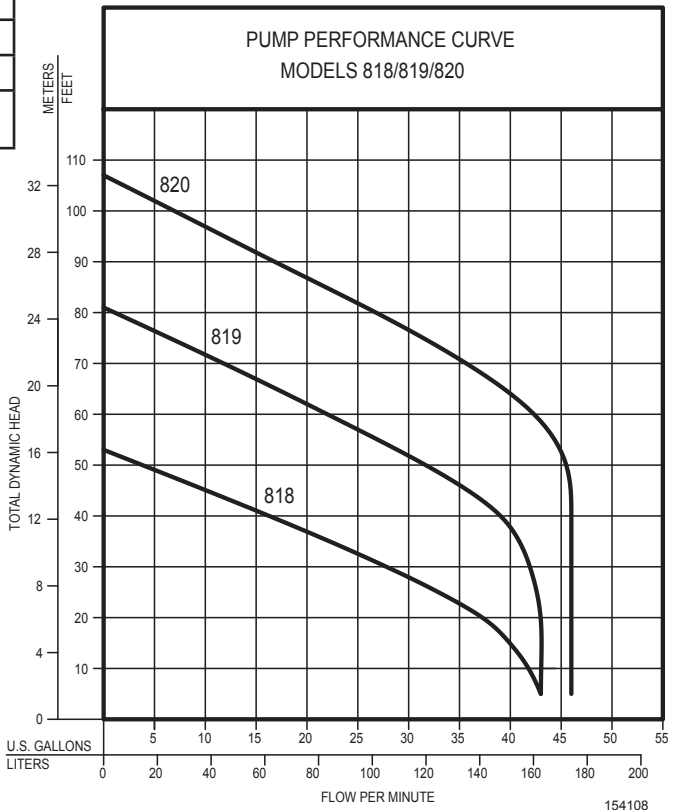
PRODUCT SPECIFICATIONS

MOTOR	Horse Power	1.0 - 2.0
	Voltage	115*/200/230
	Phase	1 Ph
	Hertz	60 Hz
	RPM	3450
	Type	Capacitor start / capacitor run
	Insulation	Class B
	Amps	7.7 - 15.5
PUMP	Operation	Automatic or nonautomatic
	Auto On / Off	Variable level float switch, customer sets
	Discharge Size	1-1/4" NPT vertical discharge
	Cord Length	20' (6 m) standard
	Cord Type	SOW or SOOW multi-wire neoprene
	Max. Head	107' (32.6 m)
	Max. Flow Rate	46 GPM (174 LPM)
	Max. Operating Temp.	130 °F (54 °C)
	Cooling	Oil filled
	Motor Protection	Auto reset thermal overload
	MATERIALS	Cap
Motor Housing		Cast iron
Adapter		Cast iron
Pump Housing		Cast iron
Upper Bearing		Ball bearing
Lower Bearing		Ball bearing
Mechanical Seals		Carbon/ceramic
Impeller Type		Vortex
Impeller		Engineered plastic
Hardware		Stainless steel
Motor Shaft		Stainless steel
Gasket & Square Ring		Neoprene
Cutter		Type 440C stainless steel hardened to Rockwell C55-60

*115 Volt model 818 only



SK1621



CAUTION All installation of controls, protection devices and wiring should be done by a qualified licensed electrician. All electrical and safety codes should be followed including the most recent National Electrical Code (NEC) and the Occupational Safety and Health Act (OSHA).