

Product information presented here reflects conditions at time of publication. Consult factory regarding discrepancies or inconsistencies.

**PUMP COMPANY**

Zoeller Family of Water Solutions™

MAIL TO: P.O. BOX 16347 • Louisville, KY 40256-0347  
SHIP TO: 3649 Cane Run Road • Louisville, KY 40211-1961  
(502) 778-2731 • 1 (800) 928-PUMP • FAX (502) 774-3624

visit our web site:  
[www.zoeller.com](http://www.zoeller.com)

## REPLACEMENT PARTS LIST FOR GRINDER MODELS:

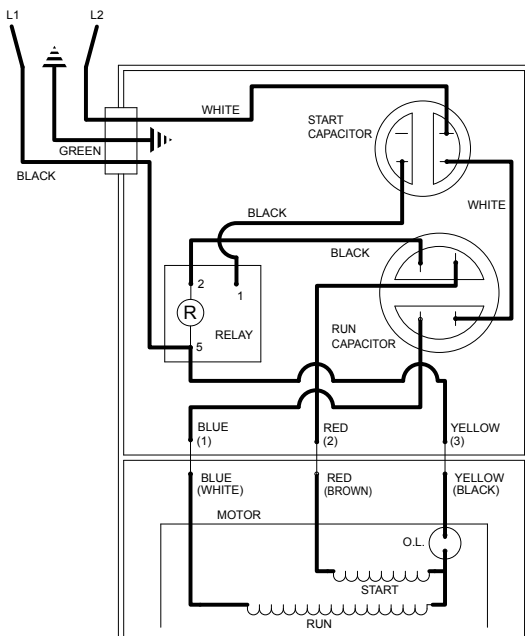
- N818 NONAUTOMATIC 115V 1PH
- E818 NONAUTOMATIC 230V 1PH
- I818 NONAUTOMATIC 200V 1PH
- WM818 AUTOMATIC w/wired float switch 115V 1PH
- WD818 AUTOMATIC w/wired float switch 230V 1PH
- WH818 AUTOMATIC w/wired float switch 200V 1PH

Consult factory for all other models

**TO ORDER REPLACEMENT PARTS:**

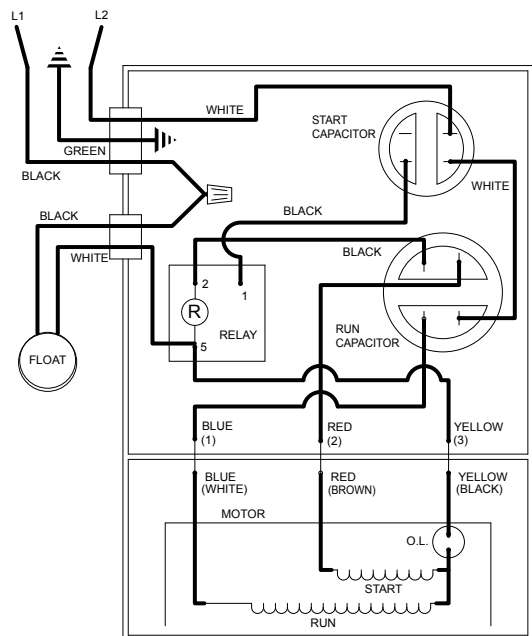
**PLEASE FURNISH THE FOLLOWING INFORMATION:**

- Model Number.
- Part Number of Pump.
- Part Number and Description of part.



WIRING DIAGRAM FOR MODELS  
"N818", "E818", "I818"  
All Revisions

010443



WIRING DIAGRAM FOR MODELS  
"WM818", "WD818", "WH818"  
All Revisions

010415

**REPLACEMENT PARTS LIST FOR MODELS "N818", "E818" and "I818".**

See back page for illustration.

REF NO.	DESCRIPTION	QTY	NOTE	MODELS:		
				N818-A	E818-A	I818-A
				11/16 thru Current	11/16 thru Current	11/16 thru Current
1	• HANDLE	1		217069	217069	217069
2	COVER & CORD 115V/1PH/NONAUTO/"818"	1	3	154280	154296	015609
3	COVER-MACH & HANDLE ASM	1	3	015612	015612	015612
4	SWITCH,FLT-TERM & SEAL	0		N/A	N/A	N/A
5	SEAL,CORD-FLOAT SWITCH	0		N/A	N/A	N/A
6	CORD TERM&SEAL	1	3	154289	154297	015615
7	• SEAL,CORD-ASM&STR RLF	1	3	015634	015634	015634
8	• GASKET,CASE/COVER	1		001011	001011	001011
9	• WIRE PKG (6 WIRES)	1		010833	010833	010833
10	CAPACITOR-START & CLAMP ASM.	1		010829	010829	010829
11	CAPACITOR-RUN & CLAMP ASM	1		010830	010830	010830
12	RELAY,MOTOR STARTING	1		154312	154312	154312
13	• PLUG,TEST	2		015023	015023	015023
14	• SEAL,THRU WALL TERM	3		003402	003402	003402
15	HOUSING,MTR-&STR	1	4	154290	154298	154299
16	• BEARING,6201			006703	006703	006703
17	KEY	1		011711	011711	011711
18	ROTOR & BRG ASM/1PH "818"	1		154291	018230	154291
19	• BEARING,7303	1		009861	009861	009861
20	• SEAL,MTR HSG	1		001014	001014	001014
21	• OIL,DIELECTRIC	1		018233	018233	018233
22	ADAPTER-MACH	1		001003	001003	001003
23	• SEAL,SHAFT	1		002430	002430	002430
24	WASHER,SUPPORT-SS	1		010863	010863	010863
25	COLLAR,SHAFT	1		010409	010409	010409
26	IMPELLER-PLASTIC "818"	1		153909	153909	153909
27	HOUSING,PUMP-MACH "818"	1		154088	154088	154088
28	CUTTER & DISC ASM,"818"	1		154292	154292	154292
29	CUTTER SHIM SET	1		012632	012632	012632
30	WASHER,RETAINING	1		008533	008533	008533
31	CONNECTOR,WIRENUT 14-16GA	0		N/A	N/A	N/A
32	• SCREW,.25-20X.75" SH CAP SS	6		007768	007768	007768
33	• SCREW,.25-20 X .75LG HH SS (NYLOCK)	1		009545	009545	009545
34	• SCREW,.313-18 X 1" HH CAP-SS	4		002608	002608	002608
35	• SCREW,.25-20X1" HHM-S.S.	4		007790	007790	007790
36	• SCREW,.25-20X.75 HHM-SS/INDENTED/UNSLLOT	4		001916	001916	001916
37	• SCREW,#6-32X.25RHM SL TC STLGR	5		001877	001877	001877
38	• SPRING,BEARING PRELOAD	1		017192	017192	017192
39	• SCREW,#6-32X.375RHM SL TC ZINC PLATED	1		019421	019421	019421
40	DISC, CUTTER	1		153203	153203	153203
41	CUTTER & SHIM ASM/2BLADE/.75" SCREW	1		154295	154295	154295
42	INSULATOR FLAG TERMINAL	3		001797	001797	001797
□	REBUILD KIT	1		018234	018234	018234

- Items included in Rebuild Kit.
- Not Shown in Illustration.

**NOTES:**

- 1) See FM1267 Price Sheet for listing of parts prices.
- 2) "N/A" indicates, not applicable.
- 3) If an "X" follows Model No., or Date Mfg. on brass ID tag, consult factory for ordering of this part.
- 4) Housing, MTR & Stator (Item 15) is preassembled at factory and must be replaced as a unit. Stator is permanently attached to the Motor Housing. Plug (Item 13) and Seal, thru Wall Term. (Item 14) and Bearing (Item 16) are replaceable.

**REPLACEMENT PARTS LIST FOR MODELS "WM818", "WD818" and "WH818".**

See back page for illustration.

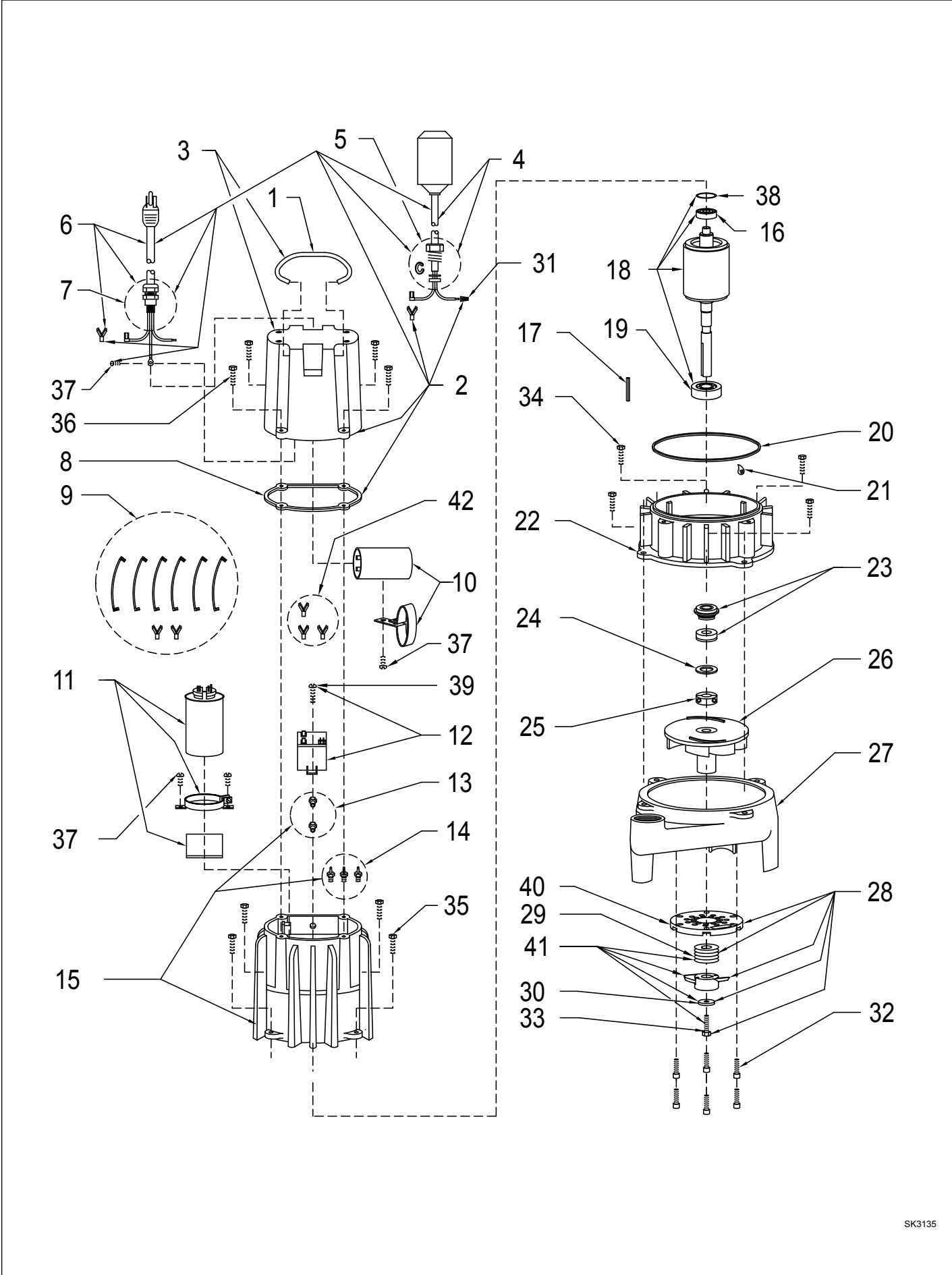
REF NO.	DESCRIPTION	QTY	NOTE	MODELS:		
				WM818-A	WD818-A	WH818-A
				11/16 thru Current	11/16 thru Current	11/16 thru Current
1	• HANDLE	1		217069	217069	217069
2	COVER,CORD & FLT "818"	1		154300	154301	015611
3	COVER-MACH & HANDLE ASM	1	3	015613	015613	015613
4	SWITCH,FLT-TERM & SEAL	1	3	010827	101827	011880
5	• SEAL,CORD-FLOAT SWITCH	1		011065	011065	011071
6	CORD TERM & SEAL	1	3	154304	154308	015633
7	• SEAL,CORD-ASM&STR RLF	1	3	015634	015634	015634
8	• GASKET,CASE/COVER	1		001011	001011	001011
9	• WIRE PKG (6 WIRES)	1		010833	010833	010833
10	CAPACITOR-START & CLAMP ASM.	1		010829	010829	010829
11	CAPACITOR-RUN & CLAMP ASM	1		010830	010830	010830
12	RELAY,MOTOR STARTING	1		154312	154312	154312
13	• PLUG,TEST	2		015023	015023	015023
14	• SEAL,THRU WALL TERM	3		003402	003402	003402
15	HOUSING,MTR-&STR	1	4	154290	154298	154299
16	• BEARING,6201			006703	006703	006703
17	KEY	1		011711	011711	011711
18	ROTOR & BRG ASM/1PH "818"	1		154291	018230	154291
19	• BEARING,7303	1		009861	009861	009861
20	• SEAL,MTR HSG	1		001014	001014	001014
21	• OIL,DIELECTRIC	1		018233	018233	018233
22	ADAPTER-MACH	1		001003	001003	001003
23	• SEAL,SHAFT	1		002430	002430	002430
24	WASHER,SUPPORT-SS	1		010863	010863	010863
25	COLLAR,SHAFT	1		010409	010409	010409
26	IMPELLER-PLASTIC "818"	1		153909	153909	153909
27	HOUSING,PUMP-MACH "818"	1		154088	154088	154088
28	CUTTER & DISC ASM/"818"	1		154292	154292	154292
29	CUTTER SHIM SET	1		012632	012632	012632
30	WASHER,RETAINING	1		008533	008533	008533
31	• CONNECTOR,WIRENUT 14-16GA	1		003753	003753	003753
32	• SCREW,.25-20X.75" SH CAP SS	6		007768	007768	007768
33	• SCREW,.25-20 X .75LG HH SS (NYLOCK)	1		009545	009545	009545
34	• SCREW,.313-18 X 1"HH CAP-SS	4		002608	002608	002608
35	• SCREW,.25-20X1" HHM-S.S.	4		007790	007790	007790
36	• SCREW,.25-20X.75 HHM-SS/ INDENTED/UNSLOTTED	4		001916	001916	001916
37	• SCREW,#6-32X.25RHM SL TC STLGR	5		001877	001877	001877
38	• SPRING,BEARING PRELOAD	1		017192	017192	017192
39	• SCREW,#6-32X.375RHM SLTC ZINC	1		019421	019421	019421
40	DISC, CUTTER	1		153203	153203	153203
41	CUTTER & SHIM ASM/2BLADE/.75" SCREW	1		154295	154295	154295
42	INSULATOR FLAG TERMINAL	3		001797	001797	001797
□	REBUILD KIT	1		018234	018234	018234

- Items included in Rebuild Kit.
- Not Shown in Illustration.

**NOTES:**

- 1) See FM1267 Price Sheet for listing of parts prices.
- 2) "N/A" indicates, not applicable.
- 3) If an "X" follows Model No., or Date Mfg. on brass ID tag, consult factory for ordering of this part.
- 4) Housing, MTR & Stator (Item 15) is preassembled at factory and must be replaced as a unit. Stator is permanently attached to the Motor Housing. Plug (Item 13) and Seal, thru Wall Term. (Item 14) and Bearing (Item 16) are replaceable.

# REPLACEMENT PARTS ILLUSTRATION FOR 818 - ALL MODELS



SK3135